

# Pop-122-202-Brooklyn TYPE:

Suspension

PROJECT NAME:



*Pop Brooklyn goes beyond design with a concept of high level engineering. It is a Suspended fixture made up of two modules, held up together by the same law of a cable-stayed bridge: the two cables, which goes from the canopies to the middle of the structure, hold the light diffusor.*

*Two different canopy types, on demand:*

*Pop Brooklyn "Cup" external canopy for installation on all ceilings. Code: P123 e P203*

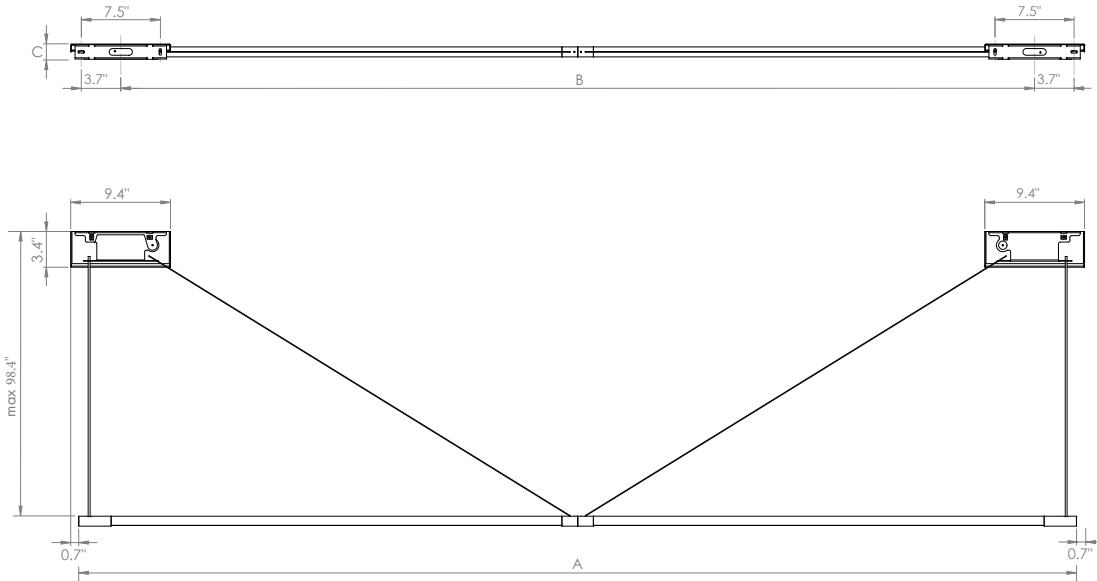
*Pop Brooklyn "Arc" recessed canopy for plasterboard and brickwork ceiling (compulsory housings). Code: P122-P202*

*Supplied with Led light sources, the lamp has a 2,4cm diameter and it is available in lengths 120+120cm and 192+192cm. The recessed light source counteracts the dazzle effect.*

*Aluminium made structure painted in colours: Code 02: black. Code 06: white.*

# Pop-122-202-Brooklyn TYPE:

PROJECT NAME:



Code	Ⓢ	K°	lm	Watt	lm/W	CRI	▲	IP	A	B	C
P123.43L.XX	24V	3000	2x2350	2x25,9	91	85	44°	20	94.5"	86.5"	1.6"
P203.43L.XX	24V	3000	2x3915	2x43,2	91	85	44°	20	151.2"	143.2"	1.6"

INPUT VOLTAGE 120V

INSTALLATION NOTE: Comes with 4" x 4" SQUARE BACKPLATE to cover the junction box

