

Wally-13

Ceiling/Wall

TYPE:

PROJECT NAME:



Wall and ceiling lamp. The adjustable bulb is tiltable to 90° and rotatable to 360° stop, and allows to easy direction of light. W13 has only a Led version and it uses only the "LOCS PLUS" technology . The transformer is always included in the structure of the lamp. Structure available in colours: Code 02: black painted metal. Code 06: white painted metal.

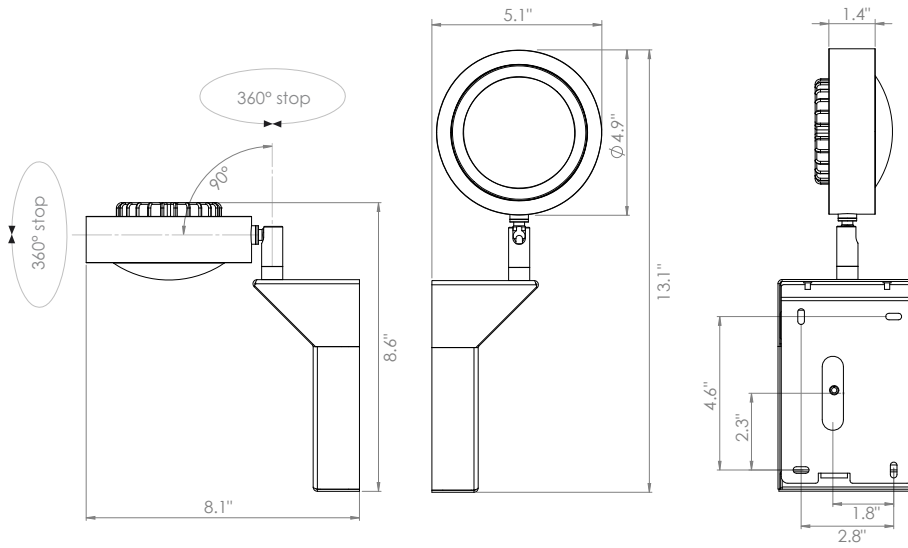
SPECIFICATION SHEET

Wally-13

Ceiling/Wall

TYPE:

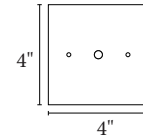
PROJECT NAME:



Code	©	K°	lm	Watt	lm/W	CRI	▲	IP
W13.52M.XX	500m/A led	2700	2494	18,1	138	85	50°	20
W13.53M.XX	500m/A led	3000	2611	18,1	144	85	50°	20
W13.54M.XX	500m/A led	4000	2697	18,1	149	85	50°	20

INPUT VOLTAGE 120V

INSTALLATION NOTE: Comes with 4" x 4" SQUARE BACKPLATE to cover the junction box



SPECIFICATION SHEET