

BEEM 1.0

LED

TYPE:

PROJECT NAME:



MODEL #	WATT	LED	OPTICS	FINISH	VOLTAGE
---------	------	-----	--------	--------	---------

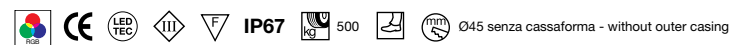
DESCRIPTION:

Walk over axial indoor/outdoor light. AISI 316L steel or aluminium ferrule; tempered glass. Provided wired with standard 1.5 m neoprene cable. Can be installed in plasterboard without outer casing.

INSTALLATION NOTE:

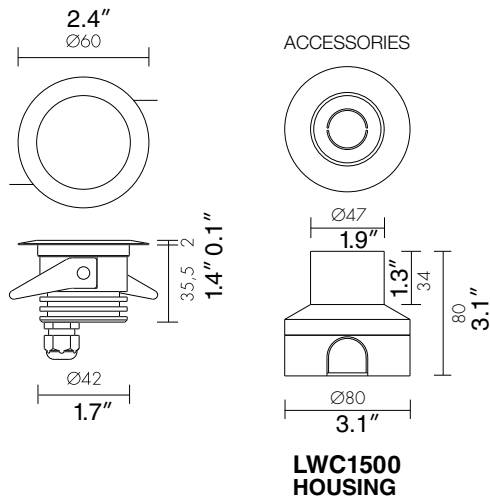
Must be wired in series when two or more are wired together with same driver.

SPOT LIGHT



BEEM 1.0 Dimensions

L5CD10



LED COLORS

- 0. 5000K WHITE
- 1. BLUE
- 2. GREEN
- 3. RED
- 5. 3000K WHITE
- 6. RGB ONLY 1W

FINISH

- I. STAINLESS STEEL
- G. ALUMINIUM

WATTAGE 1W 3W

VOLTAGE 120V 220V 277V

OPTICS

- L. 40°
- M. 25°
- S. 10°
- D. DIFFUSED BEAM

SPECIFICATION SHEET

LEDOLOGY®

A **Luminart®** BRAND

WWW.LUMINARTLIGHTING.COM

BEEM 1.0

LED



LEDOLOGY®

A **Luminart** BRAND

WWW.LUMINARTLIGHTING.COM