

BRITE 9.0

LED

TYPE:

PROJECT NAME:



MODEL #	WATT	LED	OPTICS	FINISH	VOLTAGE
---------	------	-----	--------	--------	---------

DESCRIPTION:

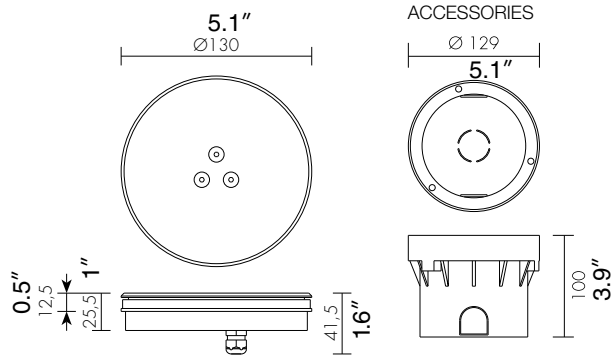
Drive over outdoor anti-glare light with IP68 rating and high mechanical resistance; AISI 316L steel ferrule. Provided wired with a 1.5 m neoprene cable.

INSTALLATION NOTE:

Must be wired in series when two or more are wired together with same driver.

BRITE 9.0 Dimensions

L5CB90



LWC0500 HOUSING



LED COLORS

- 0. 5000K WHITE
- 5. 3000K WHITE

FINISH

- I. STAINLESS STEEL

- WATTAGE** 1W 6W 9W 18W

- VOLTAGE** 120V 220V 277V

OPTICS

- R. RADIAL

SPECIFICATION SHEET

BRITE 9.0

LED



LEDOLOGY®

A **Luminart** BRAND

WWW.LUMINARTLIGHTING.COM