

POWER STRIP FLEX LED HO

IP65 EXTERIOR - INTERIOR

TYPE:

PROJECT NAME:



MODEL #	HOUSING	DIMMABLE/ NON-DIMMABLE	VOLTAGE
---------	---------	---------------------------	---------

POWER STRIP FLEX LED HO

The Power Strip Flex is a high power linear LED strip with a IP65 rating for exterior and interior installations. Designed for wall washing, wall grazing and coves. Applications: Architectural facades, cove lighting, retail environments and general illumination. Lengths of 5 meters that can be custom cut to your required measurements. Cuts are be made every 50mm. Continuous lengths are achieved with multiple drivers

Remote installation required for LED Drivers.
LEDs are available in Warm White and Cool White

VOLTAGE 120V 240V 277V

DIMMABLE NON-DIMMABLE

5501 WARM WHITE

15W / m	3000° K

5502 COOL WHITE

15W / m	6000° K

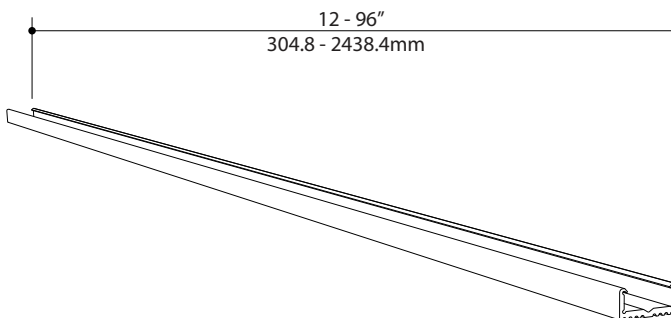
OPTIONAL HOUSING

HOUSING 8' HOUSING STRIP ANODIZED ALUMINUM

DESCRIPTION:

The Housing Strip has been designed specifically to house the Power Strip Flex LED HO. It has an integrated 'V' groove in the bottom to assist in drilling center holes for installation. Also Available: The Power Strip shield is an optional clear, plastic, extruded snap-in cover for the Power Strip; it is designed to assist in creating an even light dispersion.

SPECIFICATION SHEET



SHIELD



LEDOLOGY[®]

A **Luminart** BRAND

WWW.LUMINARTLIGHTING.COM