

Disk

TYPE:

PROJECT NAME:

INFO



DSKEPT175C01 + DSKEPT155C01 + DSKETA065C01

— Lampada da tavolo, lettura e terra. Diffusore in cotone o ABS material con disco in metallo basculante ed oscurante collocato sul bordo superiore del paralume. Cupola inferiore antiabbaglio in PMMA opale termoformata con finitura Soft Touch. Struttura in metallo verniciato bianco opaco.

— Table, reading and floor lamp. Shade in cotton fabric or ABS material with rotating metal disc cover, placed on the upper border of the shade. Anti-dazzle thermoformed bottom cap in opal PMMA painted Soft Touch. Metal structure matt white painted.

— Lampe de table, de lecture et lampadaire. Abat-jour en coton ou ABS material avec disque d'obturation pivotant en métal, placé sur le bord supérieur de l'abat-jour. Coupole

INDOOR

DSKETA065C01

→ ø 43 × h 65 cm

DSKEPT155C01

→ ø 43 × h 155 cm

DSKEPT175C01

→ ø 53 × h 175 cm

lampada da tavolo, lettura e terra; table, reading and floor lamp; lampe de table, de lecture et lampadaire; Tisch-, Lese- und Stehleuchte; lámpara de sobremesa de lectura y de pie.

→ ø 43

⊘ 1 × E27 70W HES

⊘ 1 × E27 20W fluo

⊘ 1 × E27 LED

→ ø 53

⊘ 2 × E27 70W HES

⊘ 2 × E27 20W fluo

⊘ 2 × E27 LED

INDOOR IP 20



Intertek



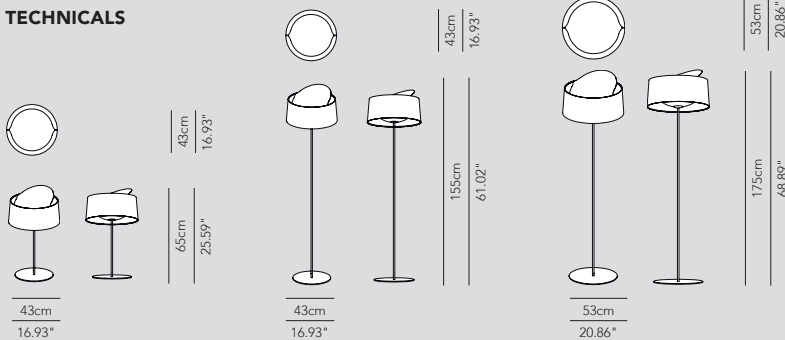
inférieure anti-éblouissante en PMMA opal verni Soft Touch. Structure en métal verni blanc matt.

— Tisch-, Lese- und Stehleuchte. Schirm aus Baumwolle oder ABS material mit Metall verdunkelter Schwingscheibe, dass auf dem oberen Rand des Schirmes positioniert ist. Untere antiblendschutz Kappe aus PMMA opal und wärmegeformter Kunststoff mit Soft Tuch Ausführung. Struktur aus lackiertem Metall weiss matt.

— Lámpara de mesa, lectura y pie.

Difusor en tela de algodón o ABS material con disco metálico basculante colocado en el borde superior de la pantalla. Cúpula inferior anti-deslumbramiento en PMMA opal, termoformada con acabado Soft Touch. Estructura en metal lacado mate blanco.

TECHNICALS



FINISHES



cotton



abs material



washable

* on demand

SPECIFICATION SHEET

Disk

FINISHES

TYPE:

PROJECT NAME:



Classic

COTONE / COTTON / COTON / BAUMWOLLE / ALGODON



cod. 300
avorio/ivory



cod. 301
bianco/white



cod. 302
sabbia/sandy



cod. 305
aragosta/lobate pink



cod. 310
grigio antracite/deep grey



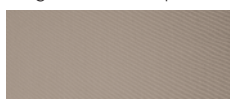
cod. 312
grigio/grey



cod. 313
nero/black



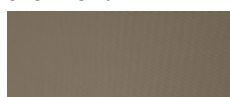
cod. 314
marrone/brown



cod. 317
tortora/dove colour



cod. 323
salvia/sage



cod. 324
spago/écru

Fashion



cod. 303
giallo oro/golden yellow



cod. 306
rosso/red



cod. 307
prugna/plum



cod. 315
arancio/orange



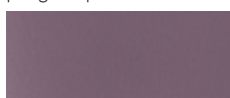
cod. 316
verde/green



cod. 318
muschio/moss



cod. 319
ottanio/teal



cod. 320
malva/mallow



cod. 321
pervinca/periwinkle



cod. 322
giallo limone/lemon yellow



cod. 326
blu navy/navy blue



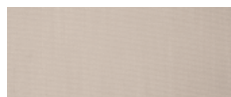
cod. 327
provenza/lavender



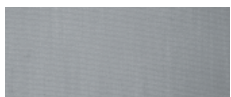
WASHABLE / ACHEO, BOLLA, CILINDRO, CORNER, DISCOVOLANTE, DISK, ELLISSE, OTTOVOLANTE



cod. 611
deagrey/deagrey



cod. 612
sunlin/sunlin



cod. 613
sungrey/sungrey



cod. 614
sunlime/sunlime



cod. 615
sunbrick/sunbrick