

Pop 03 Ø17 Look

Recessed

TYPE:

PROJECT NAME:



SPECIFICATION SHEET

Pop 03 Ø17 Look

TYPE:

Recessed

PROJECT NAME:

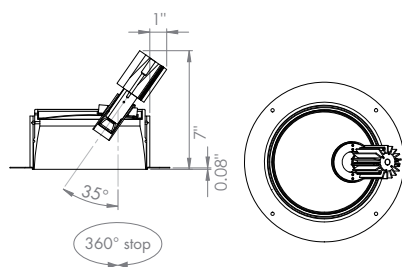
Lampada ad incasso a scomparsa totale (cassaforma obbligatoria), di forma circolare, Ø 170mm. Pop Look è disponibile in due versioni: con singolo, doppio o triplo LED da 13,4W (solo per cartongesso); oppure con singolo LED da 12,5W - 18,4 - 26,9W (per cartongesso e laterizio). Entrambe le versioni hanno un'ottica orientabile a 360° rispetto all'asse orizzontale. Struttura disponibile nei colori: Codice 02: colore nero. Codice 06: colore bianco.

Recessed trimless downlight (compulsory housing), of circular shape, Ø 170mm. Pop Look is available in two versions: with single, double or triple LED of 13,4W (only for plasterboard); or with a single LED of 12,5W - 18,4 - 26,9W (for plasterboard and brickwork). Both have an adjustable bulb rotatable to 360°. Structure available in colours: Code 02: black painted metal. Code 06: white painted metal.

Einbauleuchte randlos mit zurückversetzter Optik (Gehäuse zwingend notwendig), runder Form, Ø 170mm. Pop Look ist lieferbar in zwei Varianten: mit einzelner, doppelter oder dreifacher LED von 13,4W (nur für Gipskarton); oder mit einzelner LED von 12,5W - 18,4 - 26,9W (für Gipskarton und Mauerwerk). Beide haben eine 360° drehbare und ausrichtbare Optik. Struktur verfügbar in den Farben: Code 02: schwarz lackiert. Code 06: weiss lackiert.

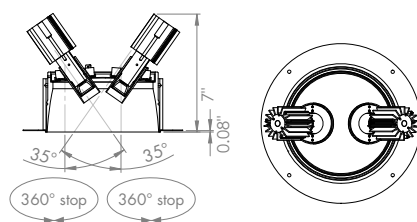
Luminaire entièrement encastré (boîte d'encastrement obligatoire), de forme circulaire, Ø 170mm. Pop Look est disponible en deux versions: avec une seule ou deux ou trois LED de 13,4W (seulement pour cloison en placoplatre); ou avec une seule LED de 12,5W - 18,4 - 26,9W (pour cloison en placoplatre et mur de brique). Toutes les deux ont l'optique orientable latéralement à 360°. Structure disponible dans les couleurs: Code 02: laqué noir. Code 06: laqué blanc.

Empotrable totalmente oculto (cajetín obligatorio), de forma circular, Ø 170mm. Pop Look es disponible en dos versiones: con una sola, doble o triple LED de 13,4W (solo para falso techo); o con un solo LED de 12,5W - 18,4 y 26,9W (para falso techo y ladrillo). Ambas están provistas de una óptica orientable con una rotación de 360° respecto al eje horizontal. Estructura disponible en los siguientes colores: Código 02: negro. Código 06: blanco



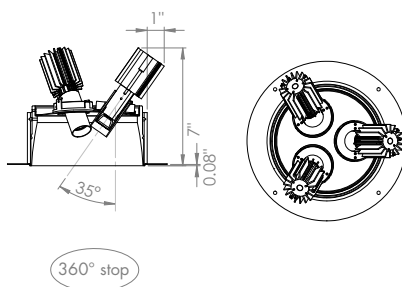
Code	☉	K°	lm	Watt	lm/W	CRI	▲	IP
PL31.22M.XX	350m/A led	2700	1x1650	1x13,4	123	85	37°	40
PL31.23M.XX	350m/A led	3000	1x1727	1x13,4	129	85	37°	40
PL31.24M.XX	350m/A led	4000	1x1786	1x13,4	133	85	37°	40

Code Converter	☉				
KIT.350.1L	350m/A led	ON/OFF		min. 1	PL31
KIT.352.15	350m/A led	DALI		min. 1	PL31
KIT.353.15	350m/A led	PUSH - 1...10V		min. 1	PL31



Code	☉	K°	lm	Watt	lm/W	CRI	▲	IP
PL32.22M.XX	350m/A led	2700	2x1650	2x13,4	123	85	37°	40
PL32.23M.XX	350m/A led	3000	2x1727	2x13,4	129	85	37°	40
PL32.24M.XX	350m/A led	4000	2x1786	2x13,4	133	85	37°	40

Code Converter	☉				
KIT.350.1L	350m/A led	ON/OFF		min. 2	PL32
KIT.351.40	350m/A led	PUSH - 1...10V		min. 1	PL32



Code	☉	K°	lm	Watt	lm/W	CRI	▲	IP
PL33.22M.XX	350m/A led	2700	3x1650	3x13,4	123	85	37°	40
PL33.23M.XX	350m/A led	3000	3x1727	3x13,4	129	85	37°	40
PL33.24M.XX	350m/A led	4000	3x1786	3x13,4	133	85	37°	40

Code Converter	☉				
KIT.350.1L	350m/A led	ON/OFF		min. 3	PL33
KIT.351.40	350m/A led	PUSH - 1...10V		min. 1	PL33



Pop 03 Ø17 Look

Recessed

TYPE:

PROJECT NAME:



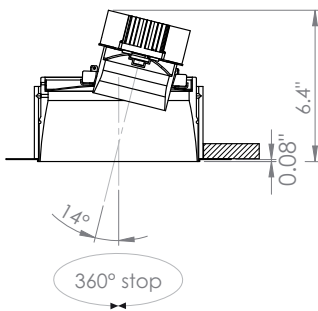
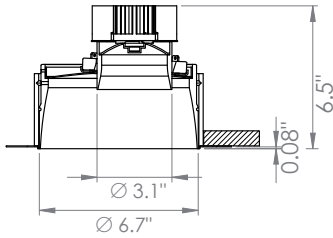
SPECIFICATION SHEET

Pop 03 Ø17 Look

Recessed

TYPE:

PROJECT NAME:



Code	⊙	K°	lm	Watt	lm/W	CRI	▲	IP
PL3.62S.XX	350m/A led	2700	1477	12,5	119	85	24°	20
	500m/A led	2700	2020	18,4	110	85	24°	20
	700m/A led	2700	2683	26,9	100	85	24°	20
PL3.63S.XX	350m/A led	3000	1565	12,5	126	85	24°	20
	500m/A led	3000	2140	18,4	116	85	24°	20
	700m/A led	3000	2842	26,9	106	85	24°	20
PL3.64S.XX	350m/A led	4000	1635	12,5	131	85	24°	20
	500m/A led	4000	2236	18,4	121	85	24°	20
	700m/A led	4000	2963	26,9	110	85	24°	20
PL3.62T.XX	350m/A led	2700	1477	12,5	119	85	12°	20
	500m/A led	2700	2020	18,4	110	85	12°	20
	700m/A led	2700	2683	26,9	100	85	12°	20
PL3.63T.XX	350m/A led	3000	1565	12,5	126	85	12°	20
	500m/A led	3000	2140	18,4	116	85	12°	20
	700m/A led	3000	2842	26,9	106	85	12°	20
PL3.64T.XX	350m/A led	4000	1635	12,5	131	85	12°	20
	500m/A led	4000	2236	18,4	121	85	12°	20
	700m/A led	4000	2963	26,9	110	85	12°	20

Code Converter	⊙				
KIT.350.1L	350m/A led	ON/OFF		min. 1 max 1	12,5W
KIT.351.40	350m/A led	DALI - PUSH - 1...10V		min. 1 max 3	12,5W
KIT.352.15	350m/A led	DALI		min. 1 max 1	12,5W
KIT.353.15	350m/A led	PUSH - 1...10V		min. 1 max 1	12,5W
KIT.500.1L	500m/A led	ON/OFF		min. 1 max 1	18,4W
KIT.501.50	500m/A led	DALI - PUSH - 1...10V		min. 1 max 3	18,4W
KIT.502.20	500m/A led	DALI		min. 1 max 1	18,4W
KIT.503.20	500m/A led	PUSH - 1...10V		min. 1 max 1	18,4W
KIT.700.1L	700m/A led	ON/OFF		min. 1 max 1	26,9W
KIT.701.50	700m/A led	DALI - PUSH - 1...10V		min. 1 max 1	26,9W



SPECIFICATION SHEET

Luminart®

WWW.LUMINARTLIGHTING.COM