

# Pop-13-Ø-07

Wall

**TYPE:**

**PROJECT NAME:**

---



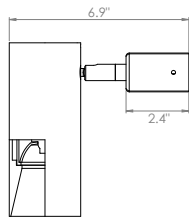
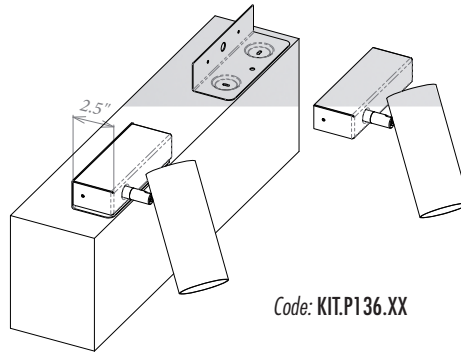
*Wall and ceiling lamp. Tiltable to 90° and sideways 360° stop adjustable bulb.  
With the suitable optional stirrup (code KIT.P136. XX) the lamp can be installed on beams.  
Structure available in colours: Code 02: black painted metal. Code 06: white painted metal.*

# Pop-13-Ø-07

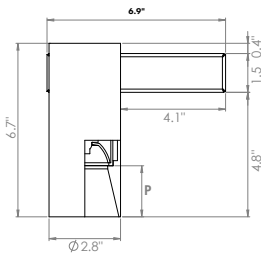
Wall

**TYPE:**

**PROJECT NAME:**



Code		Watt	IP	P
P13.210.XX	GU10	50	20	5,0
P13.220.XX	GU5.3	50	20	5,0 $\text{\textcircled{T}}$



Code	©	K°	lm	Watt	lm/W	CRI	▲	IP	P
P13.32M.XX	350m/A led	2700	1115	11,2	100	85	38°	20	0,5
P13.33M.XX	350m/A led	3000	1175	11,2	105	85	38°	20	0,5
P13.34M.XX	350m/A led	4000	1229	11,2	110	85	38°	20	0,5
P13.32S.XX	350m/A led	2700	1115	11,2	100	85	22°	20	5,0
P13.33S.XX	350m/A led	3000	1175	11,2	105	85	22°	20	5,0
P13.34S.XX	350m/A led	4000	1229	11,2	110	85	22°	20	5,0
P13.32T.XX	350m/A led	2700	1115	11,2	100	85	10°	20	0,5
P13.33T.XX	350m/A led	3000	1175	11,2	105	85	10°	20	0,5
P13.34T.XX	350m/A led	4000	1229	11,2	110	85	10°	20	0,5

INPUT VOLTAGE 120V

INSTALLATION NOTE: Comes with 4" x 4" SQUARE BACKPLATE to cover the junction box

