

# Pop Ring Ø12.5-Pull

TYPE:

Recessed

PROJECT NAME:

---



SPECIFICATION SHEET

# Pop Ring Ø12.5-Pull

TYPE:

PROJECT NAME:

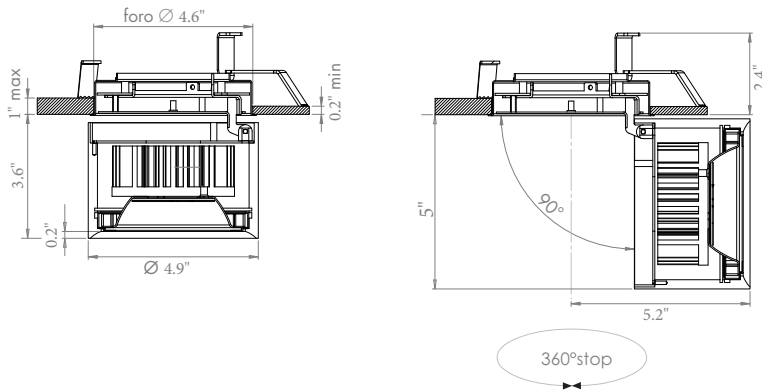
Lampada ad incasso con speciale micro bordo, applicabile a soffitti di cartongesso e di legno; non necessita di cassaforma. L'ottica è recessa ed orientabile frontalmente fino a 90° e lateralmente a 360°stop, permettendo di direzionare la luce in modo agevole. Struttura disponibile nei colori: Codice 02: colore nero. Codice 06: colore bianco.

Recessed downlight with special micro trim, for plasterboard and wooden ceilings; it does not need the housing. The recessed adjustable bulb is tiltable to 90° and rotatable to 360°stop, and allows to easy direction of light. Structure available in colours: Code 02: black painted metal. Code 06: white painted metal.

Einbauleuchte mit einem speziellen Mikrorand für Gipskarton- und Holzdecken geeignet; man braucht das Gehäuse nicht. Ausrichtbare Optik in zurückversetzter Position: 90° schwenkbar und 360° drehbar, um das Licht leicht auszurichten. Struktur verfügbar in den Farben: Code 02: schwarz lackiert. Code 06: weiss lackiert.

Luminaire encastré avec micro collerette pour cloison en placoplatre et en bois; le boîtier d'encastrement n'est pas nécessaire. Optique orientable et en retraite du plafond: à 90° en face et à 360° latéralement, pour orienter la lumière aisément. Structure disponible dans les couleurs: Code 02: laqué noir. Code 06: laqué blanc.

Empotrable con especial micro borde para falso techo y madera. No necesita cajetín. La óptica es oculta y orientable frontalmente hasta 90°, y lateralmente 360° stop, lo que permite orientar la luz agilmente. Estructura disponible en los colores: Código 02: negro. Código 06: blanco.



Code	⊗	Watt	IP
PR1P.530.XX	G53	50	20

Code	Ⓢ	Trasformatore elettronico. Electronic gear. EVG Gerät. Transformateur électronique.		
KIT.100.105		120V 50-60 Hz	ON/OFF	12V max 105VA
KIT.101.105		120V 50-60 Hz	DALI	12V max 105VA



# Pop Ring Ø12.5-Pull

TYPE:

Recessed

PROJECT NAME:



Code	☺	K°	lm	Watt	lm/W	CRI	▲	IP
PR1P.62L.XX	700m/A led	2700	2683	26,9	100	85	60°	20
PR1P.63L.XX	700m/A led	3000	2842	26,9	106	85	60°	20
PR1P.64L.XX	700m/A led	4000	2963	26,9	110	85	60°	20
PR1P.62S.XX	700m/A led	2700	2683	26,9	100	85	24°	20
PR1P.63S.XX	700m/A led	3000	2842	26,9	106	85	24°	20
PR1P.64S.XX	700m/A led	4000	2963	26,9	110	85	24°	20
PR1P.62T.XX	700m/A led	2700	2683	26,9	100	85	12°	20
PR1P.63T.XX	700m/A led	3000	2842	26,9	106	85	12°	20
PR1P.64T.XX	700m/A led	4000	2963	26,9	110	85	12°	20

Code Converter ☺

KIT.700.1L	700m/A led	ON/OFF	min. 1 max 1	26,9W
KIT.701.50	700m/A led	DALI - PUSH - 1...10V	min. 1 max 1	26,9W



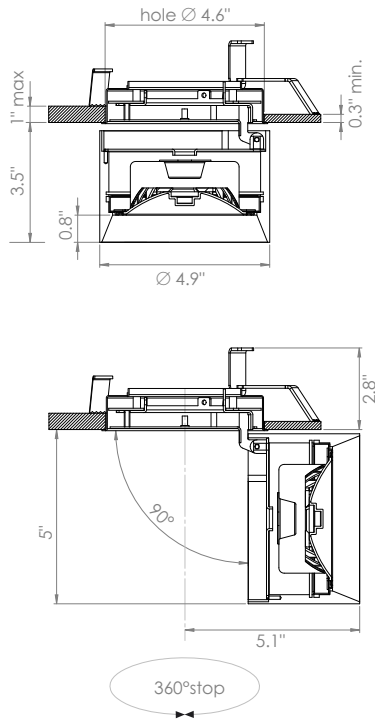
# Pop Ring Ø12.5-Pull

TYPE:

Recessed

PROJECT NAME:

## POP Ring Pull



Code	☉	K°	lm	Watt	lm/W	CRI	▲	IP
PR1P.52L.XX	350m/A led	2700	1477	12,5	119	85	60°	20
	500m/A led	2700	2020	18,4	110	85	60°	20
PR1P.53L.XX	350m/A led	3000	1477	12,5	119	85	60°	20
	500m/A led	3000	2020	18,4	110	85	60°	20
PR1P.54L.XX	350m/A led	4000	1477	12,5	119	85	60°	20
	500m/A led	4000	2020	18,4	110	85	60°	20
PR1P.52S.XX	350m/A led	2700	1477	12,5	119	85	24°	20
	500m/A led	2700	2020	18,4	110	85	24°	20
PR1P.53S.XX	350m/A led	3000	1477	12,5	119	85	24°	20
	500m/A led	3000	2020	18,4	110	85	24°	20
PR1P.54S.XX	350m/A led	4000	1477	12,5	119	85	24°	20
	500m/A led	4000	2020	18,4	110	85	24°	20
PR1P.52T.XX	350m/A led	2700	1477	12,5	119	85	12°	20
	500m/A led	2700	2020	18,4	110	85	12°	20
PR1P.53T.XX	350m/A led	3000	1477	12,5	119	85	12°	20
	500m/A led	3000	2020	18,4	110	85	12°	20
PR1P.54T.XX	350m/A led	4000	1477	12,5	119	85	12°	20
	500m/A led	4000	2020	18,4	110	85	12°	20

Code Converter	☉			
KIT.350.1L	350m/A led	ON/OFF	min. 1 max 1	12,5W
KIT.351.40	350m/A led	DALI - PUSH - 1...10V	min. 1 max 3	12,5W
KIT.352.15	350m/A led	DALI	min. 1 max 1	12,5W
KIT.353.15	350m/A led	PUSH - 1...10V	min. 1 max 1	12,5W
KIT.500.1L	500m/A led	ON/OFF	min. 1 max 1	18,4W
KIT.501.50	500m/A led	DALI - PUSH - 1...10V	min. 1 max 3	18,4W
KIT.502.20	500m/A led	DALI	min. 1 max 1	18,4W
KIT.503.20	500m/A led	PUSH - 1...10V	min. 1 max 1	18,4W

