

# DIOGENE

FLOOR

TYPE:

PROJECT NAME:



Its shape reminisces that of ancient lanterns, but Diogene reinterprets the golden rules of design with sleek lines and a contemporary spirit. It is an eclectic table, floor or ceiling lamp: a simple clasp or cord supplied in the pack can be used to attach it to a support structure. Diogene witnesses the birth of a new poetic aspect of functionality, brimming with unexpected facets and expressions: its flat surface can be turned into a small table. Ideal for both indoor and outdoor use, its light philosophy makes any space totally unique.

SPECIFICATION SHEET

# DIOGENE

**TYPE:**

**FLOOR**

**PROJECT NAME:**

FLOOR LAMP / TABLE

outdoor IP44/65

## CODES

	<i>E26 - zinc white</i>	<i>E26 - laquer</i>	<i>Rechargeable - zinc white</i>	<i>Rechargeable - laquer</i>
<i>Diogene</i>	DIOETA030G44	DIOETA030G42	DIOETA030G14	DIOETA030G12

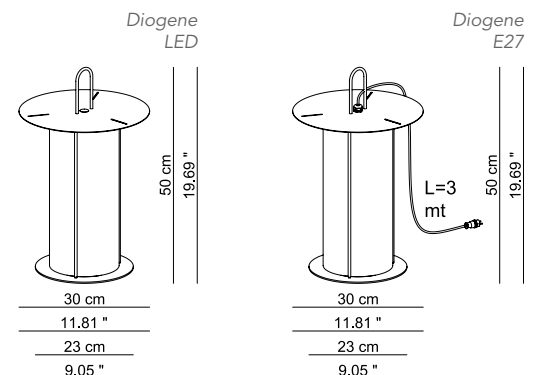
## LIGHT SOURCE

	<i>lamp type</i>	<i>luminous efficacy</i>	<i>light colour</i>	<i>life</i>	<i>note</i>
<i>Diogene</i>	1 x E26 70W HES 1 x LED rechargeable kit- RGB + White 5W	-	-	10/12 h	kit provided with remote control and battery charger

## DIMENSIONS

	<i>diameter</i>	<i>height</i>	<i>weight</i>
<i>Diogene</i>	30 cm	50 cm	3.5 kg

SPECIFICATION SHEET



# DIOGENE

FLOOR

TYPE:

PROJECT NAME:



SPECIFICATION SHEET

## FINISHES

metal structure



zinc white

LAQUER



creamy



anthracite grey



rust