

KEPLER

Arihiro Miyake

CODE#

TYPE:

PROJECT NAME:

Pendant lamp in epoxy-coated aluminium. Available in the uplight and downlight versions, in matt white or black, for a widespread and comfortable lighting. The endless line is made through a 3 dimensional deformation process of the extruded aluminium, designed with the arithmetic of the Moebius ribbons.



SPECIFICATION SHEET

KEPLER

Arihiro Miyake

CODE#

TYPE:

PROJECT NAME:

KEPLER UPLIGHT

Lamping

Source	linear LED
Total power	60W
Emission	indirect
Dimming	dimmable 1-10V
Voltage	110 / 240V
Color temperature	3000K
Luminous flux	6000lm
Typ cri	83



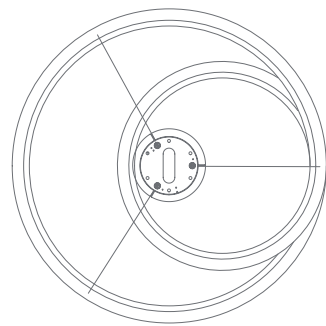
Codes

KEP LNN 51
KEP LWW 51

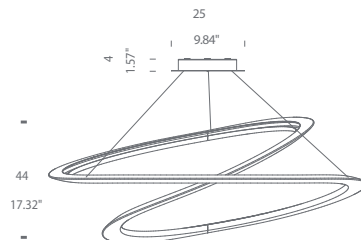
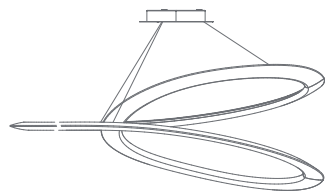
Structure



Diffuseur



110 43.31"



44
17.32"

SPECIFICATION SHEET

KEPLER

Arihiro Miyake

CODE#

TYPE:

PROJECT NAME:

KEPLER DOWNLIGHT

Lamping

Source	linear LED
Total power	60W
Emission	direct
Dimming	dimmable 1-10V
Voltage	110/240V
Color temperature	3000K
Luminous flux	6000lm
Energy class	A+



Codes

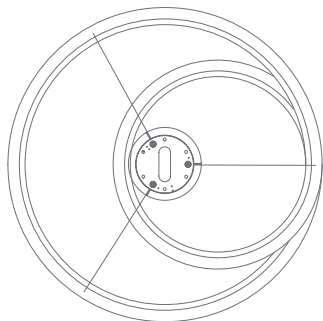
KEP LNN 52
KEPLWW52

Structure



Diffuseur

SPECIFICATION SHEET



110 43.31"

