

LUX SHOWER INSIDE

DOWNLIGHT



ø 70 **LED**



ø 125 **LED**
ultraflat



ø 125 **LED**



ø 180 **LED**



ø 245 **LED RGB**

Lux Shower Inside is a new generation of recessed ceiling lamps. Designed to illuminate from above, with tilting and LED or energy saving lamps. Ideal for particular lighting needs in open galleries, corridors, and arcades. The pre-wired fastening hooks allow for lamp installation on vault ceilings from 5 to 50 mm and, with the Ultraflat version, also in areas with limited space. Its special constructive features ensure perfect sealing and corrosion resistance.

LUX SHOWER INSIDE

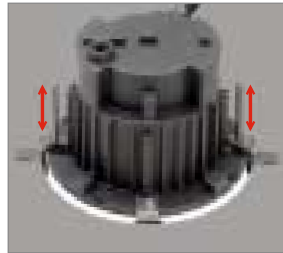
Downlight

GENERAL FEATURES

- Series for recessed ceilings.
- **Structure:** lamp body in low copper content primary aluminium with pre-phosphochrome corrosion protection polyester powder coating. Available in 4 diameters: 70, 125, 180 and 245 mm supplied with aluminium closing flanges (round or square stainless steel flanges upon request).
- Transparent or oval tempered glass upon request with $T \leq 40^{\circ}\text{C}$, thickness from 6 to 12 mm.
- Supplied with 0.5 m of cable H07RN-F and IP68 coupling.
- Can be installed on vault ceilings with thickness from 5 to 50 mm with supplied steel fastening hooks.
- Ultraflat diam. 125 version with opal glass.
- Low consumption **light sources** and 3, 4, 8, 9.5 and 29 W LEDs with CRI 80 and minimum life 50,000 h with subsequent deterioration max 30% - L70 B50.
- Remote driver code 1470, inside for all others.
- Fixed optics for code 1470, tilting $\pm 15^{\circ}$ for codes 1473, 1474, 1475 and $\pm 25^{\circ}$ for code 1476.
- Manufactured in compliance with European standards EN 60598-1:2015 **CE**

FASTENING BRACKETS

Fastening brackets already included and wired. Tighten the locking screws in the clockwise direction to arrange the hooking position until the fitting is secured to the vault ceiling. For fastening on thicknesses from 5 to 50 mm.



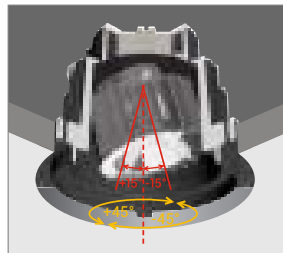
IP68 WIRING

Any fitting of the range is pre-wired with 0.5 mt H07RN-F cable and connection block IP 68.



ADJUSTABLE AND ROUTABLE OPTIC

Fully adjustable optic (unless for \varnothing 70 mm). Vertically $\pm 15^{\circ}$ for \varnothing 125 and 180 mm and $\pm 25^{\circ}$ for \varnothing 245 mm. Horizontally for the right firing.



LUX SHOWER INSIDE



Downlight

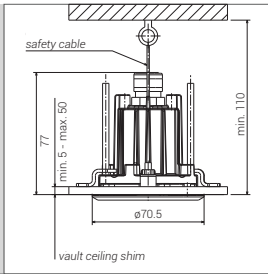


TYPE: _____

PROJECT NAME: _____

LIGHT BODY ϕ 70 mm

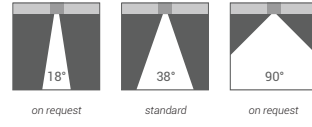


Vault ceiling hole
 ϕ min. 65 mm - ϕ max. 66 mm



Aluminium flanges provided.

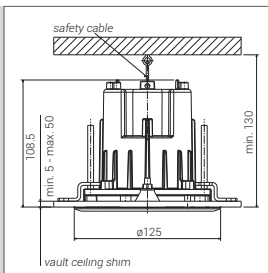
CODE	W	Real output		GM
1470*	3	185	101	

Fixed optic. Driver OUT 350 or 700 mA supplied separately or 24V DC for parallel connection.
Clear glass 6 mm.
IP 67 with flanges / Class III \triangleleft / IK 08
CRI 80 / Driver OUT / 24V DC
CE
Standard 4000K. Other tonality on request. Add TC to the code if 3000K.



LIGHT BODY ϕ 125 mm

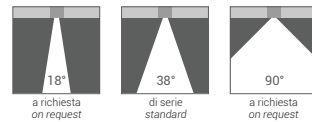


Vault ceiling hole
 ϕ min. 115 mm - ϕ max. 116 mm


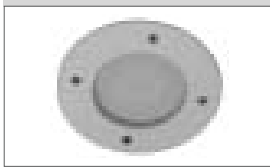
Aluminium flanges provided.

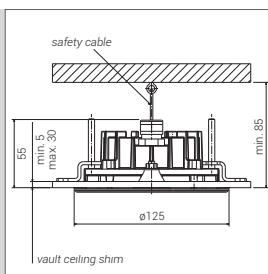
CODE	LAMP	W	Real output		GM
1472*	○ Led	4	410	256	
1473*	◡ GU 10 L max 57mm	5			

Fully adjustable optic $\pm 15^\circ$ for code 1472, $\pm 8^\circ$ for code 1473.
Clear glass 10 mm.
Code 1473 supplied without lamp.
IP 67 with flanges / Class I / IK 10
CRI 80 / Driver IN / 350 mA
120V/60Hz
CE
Standard 4000K. Other tonality on request. Add TC to the code if 3000K.



ULTRAFLAT LIGHT BODY ϕ 125 mm



Vault ceiling hole
 ϕ min. 115 mm - ϕ max. 116 mm

Aluminium flanges provided.

CODE	LAMP	W	Real output		GM
1479*	○ Led	8	800	355	

Fixed optic.
Opal glass 10 mm.
IP 67 with flanges / Class I / IK 10
CRI 80 / Driver IN / 350 mA
120V/60Hz
CE
Standard 4000K. Other tonality on request. Add TC to the code if 3000K.



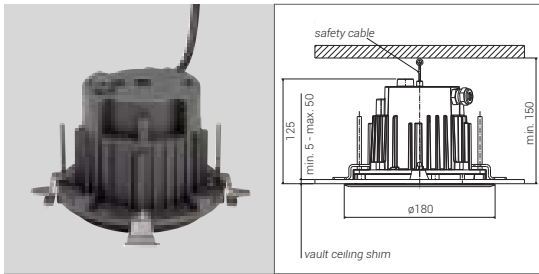
LUX SHOWER INSIDE



TYPE: _____

PROJECT NAME: _____

LIGHT BODY ϕ 180 mm

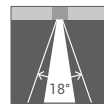


Vault ceiling hole
 ϕ min. 164 mm - ϕ max. 165 mm

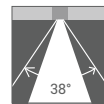
Aluminium flanges provided.

CODE	LAMP	W	Real output	GM
1474*	○ Led	9,5	1200 806	

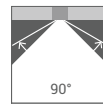
Fully adjustable optic $\pm 15^\circ$.
Clear glass 12 mm.
Skidproof glass on require.
IP 67 with flanges / Class I / IK 10
CRI 80 / Driver IN / 350 mA
120V/60Hz
CE
Standard 4000K. Other tonality on request. Add TC to the code if 3000K.



on request

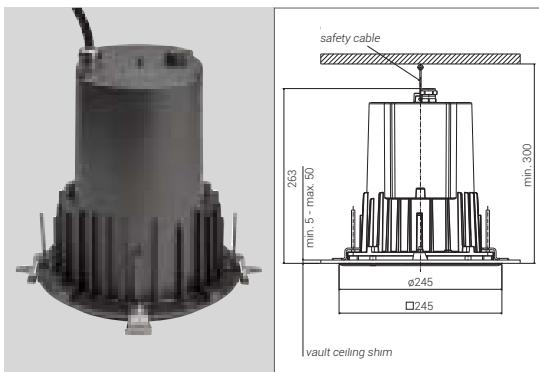


standard



on request

CORPO LAMPADA | LIGHT BODY ϕ 245 mm

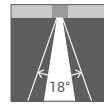


Vault ceiling hole
 ϕ min. 225 mm - ϕ max. 226 mm

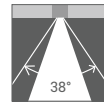
Aluminium flanges provided.

CODE	LAMP	W	Real output	GM
1476*	○ Led	29	3600 2294	
1477*	— Metal Halide	70		
1478*	⊕ E27 L max 195	30		

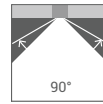
Adjustable optic $\pm 25^\circ$.
Clear glass 12 mm.
Code 1477/1478 supplied without lamp.
IP 67 with flanges / Class I / IK 10
CRI 80 / Driver IN / 350 mA
120V/60Hz
CE
Standard 4000K. Other tonality on request. Add TC to the code if 3000K.



1476 - 1477
on request



1476 - 1477
standard



1476 - 1478
on request

24V DC DRIVER FOR PARALLEL CONNECTION

CODE	Volt DC	W	IP	Dimensions mm
1952	24	18	67	120 x 30 x 22
1954	24	35	67	148 x 40 x 30
1955	24	60	67	162.5 x 42.5 x 32