

NEMO

SPIGOLO PENDANT VERTICAL

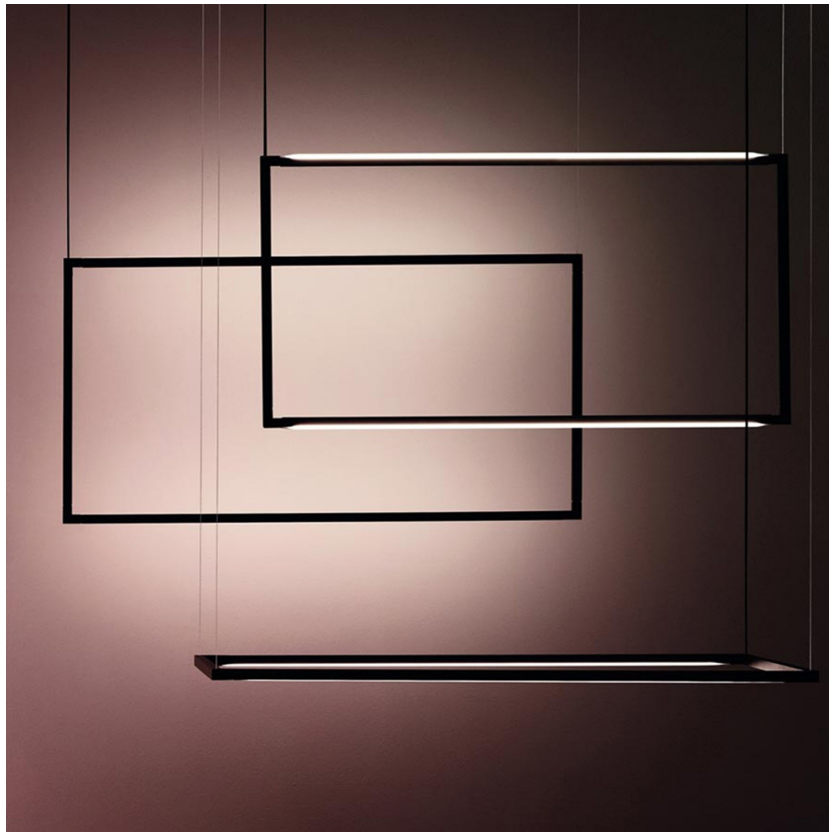
Studiocharlie

CODE#

TYPE:

PROJECT NAME:

Floor, wall and pendant lamps based on an extruded and tubular aluminium structure, connected with moulded ABS joints, with white or black painted finish. Thanks to the joints, enabling the profiles to house LED sources, one can rotate 360°; in order to produce a directional direct or indirect lighting, screened by an opaline diffuser in polycarbonate. The floor version is designed as such to provide a virtual divider to ambiances, while the ceiling and wall versions allow the enlightenment of the ambience in a versatile and a comfortable way. LED sources are dimmable and with warm tone.



SPECIFICATION SHEET

NEMO[®]

www.NEMOLIGHTING-NA.com

A **Luminart**[®] BRAND

NEMO

SPIGOLO PENDANT VERTICAL

Studiocharlie

CODE#

TYPE:

PROJECT NAME:

LED

Lamping

Source	2 x linear LED
Total power	48W
Emission	double, diffused
Dimming	Triac
Voltage	120V
Color temperature	2987K
Luminous flux	4800lm
Typ cri	83
Energy class	A+
Materials	aluminium + polycarbonate + ABS



Codes

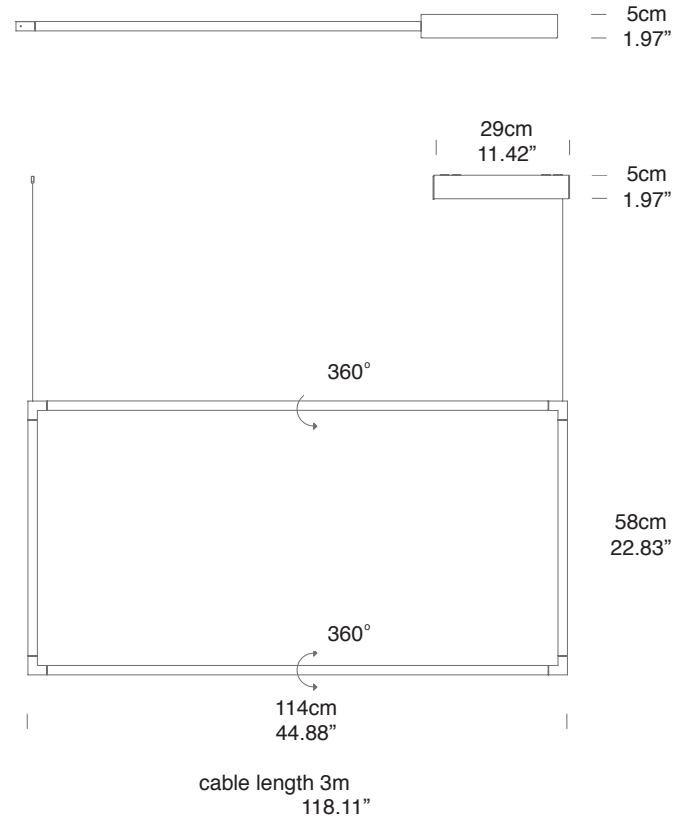
SPI LWW 51

SPI LNN 51

Structure



Diffuseur



SPECIFICATION SHEET

NEMO[®]

www.NEMOLIGHTING-NA.com

A **Luminart**[®] BRAND