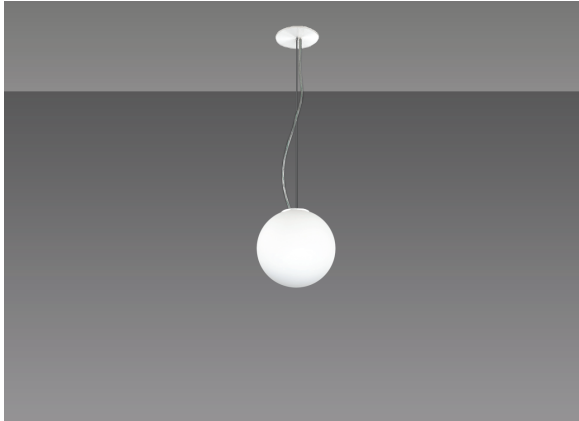


KALISPERA MINI

SUSPENSION

TYPE:

PROJECT NAME:



This classic design creates a soft and inviting glare free atmosphere suitable for both commercial and residential applications.

Luminaire characteristics:

Power input: 8W

Lumens: 551lm

Luminaire efficacy: 67lm/W

Source: LED module (LM-80 tested).

2700K: 80CRI

3000K: 80CRI

3500K: 80CRI

4000K: 80CRI

Lumen maintenance: >80% of initial lumens at 50 000 hours (L80)

Optics: General lighting.

Mounting: 5' field adjustable suspension cable and one canopy. Installs on a standard 4" Junction box.

Material:

Body: Machined aluminum glass holder.

Diffuser: Frosted acrylic shade.

Canopy: Die-cast aluminum.

Suspension: Galvanize steel aircraft cable.

Electrical: High efficiency electronic power supply, rated 50 000 hours 120V-277V.

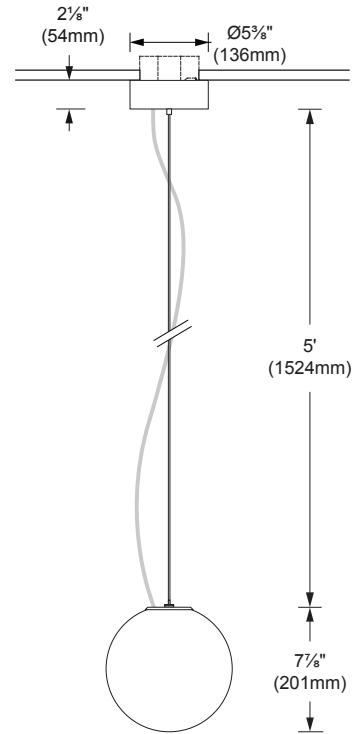
Dimming: Power supply compatible with 0-10V (UNV) or leading (TRIAC) and trailing edge (ELV) (120V only).

Finish: White RAL9003 or gray RAL9006 with white canopy.

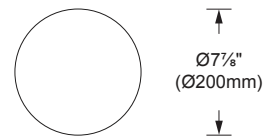
Weight: 2.45lbs (1.11kg)

Warranty: 5 year limited warranty.

Certification: cULus listed for dry location.



FRONT VIEW



BOTTOM VIEW

SPECIFICATION SHEET

Luminart[®]

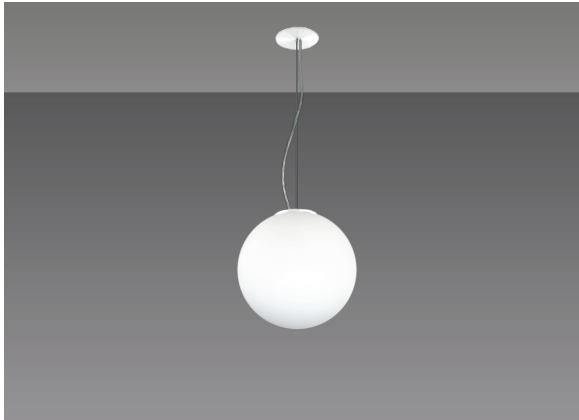
WWW.LUMINARTLIGHTING.COM
Last updated: 10/21/19

KALISPERA SMALL

SUSPENSION

TYPE:

PROJECT NAME:



This classic design creates a soft and inviting glare free atmosphere suitable for both commercial and residential applications.

Luminaire characteristics:

Power input: 12.4W

Lumens: 978 lm

Luminaire efficacy: 78 lm/W

Source: LED module (LM-80 tested)

2700K : 80CRI.

3000K : 80CRI.

3500K : 80CRI.

4000K : 80CRI.

Lumen maintenance: >80% of initial lumens at 50 000 hours (L80)

Optics: General lighting.

Mounting: 5' field adjustable suspension cable and one canopy.
To be installed on a standard 4" Jbox.

Material:

Body: Machined aluminum glass holder.

Diffuser: Frosted acrylic shade.

Canopy: Die-cast aluminum.

Suspension: Galvanized steel aircraft cable.

Electrical: High efficiency electronic power supply, rated 50 000 hours 120V-277V.

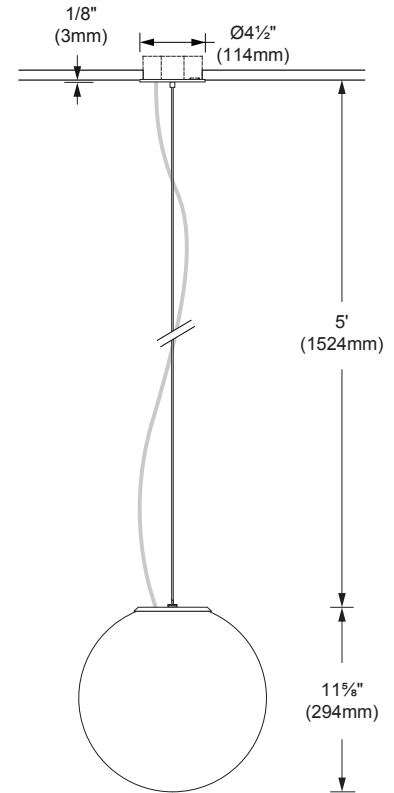
Dimming: Power supply compatible with 0-10V (UNV) or leading (TRIAC) and trailing edge (ELV) (120V only).

Finish: White RAL9003 or gray RAL9006 with white canopy.

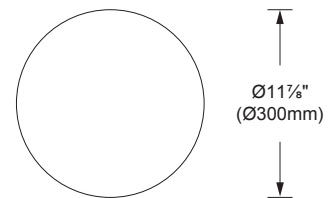
Weight: 4.30lbs (1.95kg)

Warranty: 5 year limited warranty.

Certification: cULus listed for damp location.



FRONT VIEW



BOTTOM VIEW

SPECIFICATION SHEET

Luminart[®]

WWW.LUMINARTLIGHTING.COM
Last updated: 10/21/19

KALISPERA MEDIUM

SUSPENSION

TYPE:

PROJECT NAME:



This classic design creates a soft and inviting glare free atmosphere suitable for both commercial and residential applications.

Luminaire characteristics:

Power input: 22.5W

Lumens: 1551 lm

Luminaire efficacy: 69 lm/W

Source: LED module (LM-80 tested).

2700K: 80CRI

3000K: 80CRI

3500K: 80CRI

4000K: 80CRI

Lumen maintenance: >80% of initial lumens at 50 000 hours (L80)

Optics: General lighting.

Mounting: 5' field adjustable suspension cable and one canopy.
To be installed on a standard 4" Jbox.

Material:

Body: Machined aluminum glass holder.

Diffuser: Frosted acrylic shade.

Canopy: Die-cast aluminum.

Suspension: Galvanized steel aircraft cable.

Electrical: High efficiency electronic power supply, rated 50 000 hours 120V-277V.

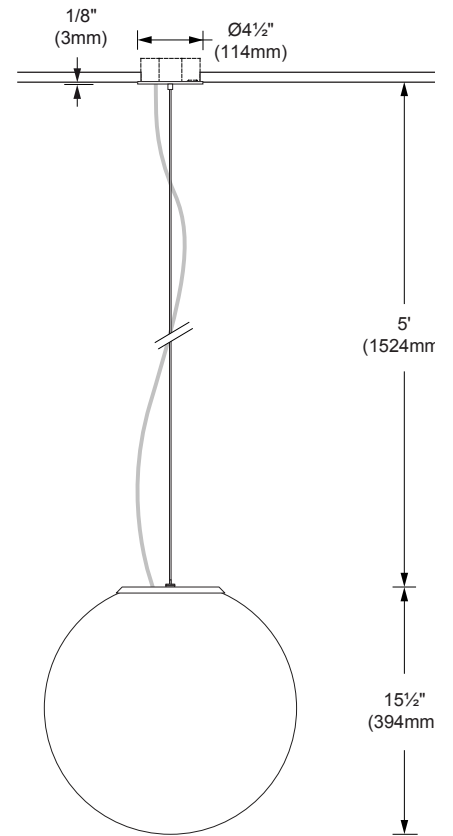
Dimming: Power supply compatible with 0-10V (UNV) or leading (TRIAC) and trailing edge (ELV) (120V only)

Finish: White RAL9003 or gray RAL9006 with white canopy.

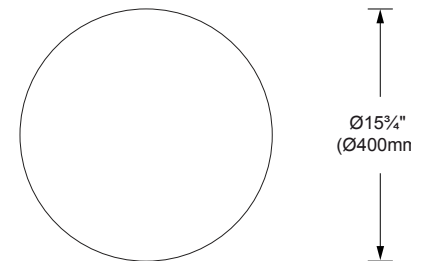
Weight: 6.15lbs (2.79kg)

Warranty: 5 year limited warranty.

Certification: cULus listed for damp location.



FRONT VIEW



BOTTOM VIEW

SPECIFICATION SHEET

Luminart[®]

WWW.LUMINARTLIGHTING.COM
Last updated: 10/21/19

KALISPERA LARGE

SUSPENSION

TYPE:

PROJECT NAME:



This classic design creates a soft and inviting glare free atmosphere suitable for both commercial and residential applications.

Luminaire characteristics:

Power input: 29.2W

Lumens: 2050 lm

Luminaire efficacy: 70 lm/W

Source: LED module (LM-80 tested).

2700K: 80CRI

3000K: 80CRI

3500K: 80CRI

4000K: 80CRI

Lumen maintenance: >80% of initial lumens at 50 000 hours (L80)

Optics: General lighting.

Mounting: 5' field adjustable suspension cable and one canopy. To be installed on a standard 4" Jbox.

Material:

Body: Machined aluminum glass holder.

Diffuser: Frosted acrylic shade.

Canopy: Die-cast aluminum.

Suspension: Galvanized steel aircraft cable.

Electrical: High efficiency electronic power supply, rated 50 000 hours 120V-277V.

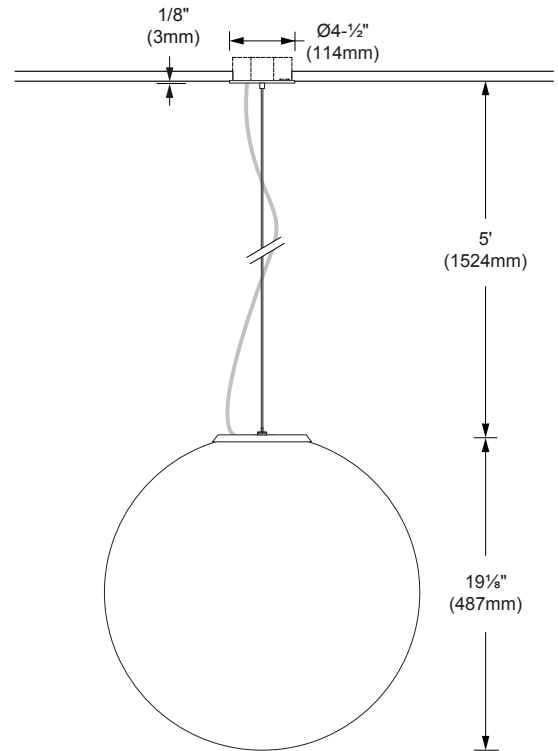
Dimming: Power supply compatible with 0-10V (UNV) or leading (TRIAC) and trailing edge (ELV) (120V only)

Finish: White RAL9003 or gray RAL9006 with white canopy.

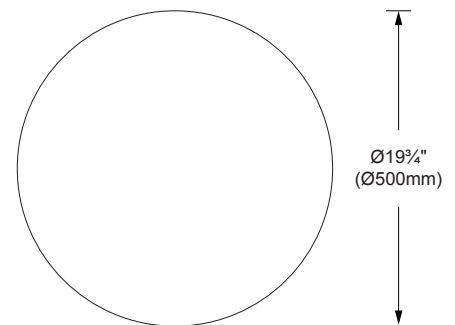
Weight: 9.05lbs (4.11kg)

Warranty: 5 year limited warranty.

Certification: cULus listed for damp location.



FRONT VIEW



BOTTOM VIEW

SPECIFICATION SHEET

Luminart

WWW.LUMINARTLIGHTING.COM
Last updated: 10/21/19