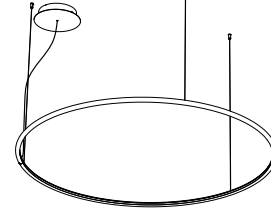
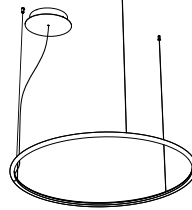
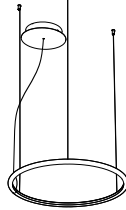


TYPE:

PROJECT NAME:

hoola 60/100/140



hoola 60 - 2400K (dim)



white painted
black painted

T92H3DWLD
T92H3DZLD

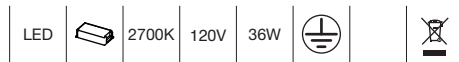
hoola 100 - 2400K (dim)



white painted
black painted

T92H4DWLD
T92H4DZLD

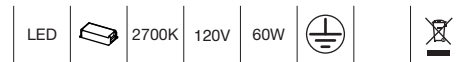
hoola 60 - 2700K (dim)



white painted
black painted

T92H9DWLD
T92H9DZLD

hoola 100 - 2700K (dim)



white painted
black painted

T92H10DWLD
T92H10DZLD

hoola 60 - 3000K (dim)



white painted
black painted

T92H1DWLD
T92H1DZLD

hoola 100 - 3000K (dim)



white painted
black painted

T92H2DWLD
T92H2DZLD

hoola 140 - 2400K (dim)



white painted
black painted

T92H17DWLD
T92H17DZLD

hoola 140 - 2700K (dim)



white painted
black painted

T92H14DWLD
T92H14DZLD

hoola 140 - 3000K (dim)



white painted
black painted

T92H13DWLD
T92H13DZLD



HOOLA 60/100

INSTALLATION SHEET

TYPE:

PROJECT NAME:

SUSPENDING THE HOOLA

Using the template is strongly recommended, but only required when vertical and parallel hanging steelcables are desired.

- choose an angle in which you want to install "hoola".
- fix the template to the ceiling
- each angle has 3 steelcable attachment points marked as +

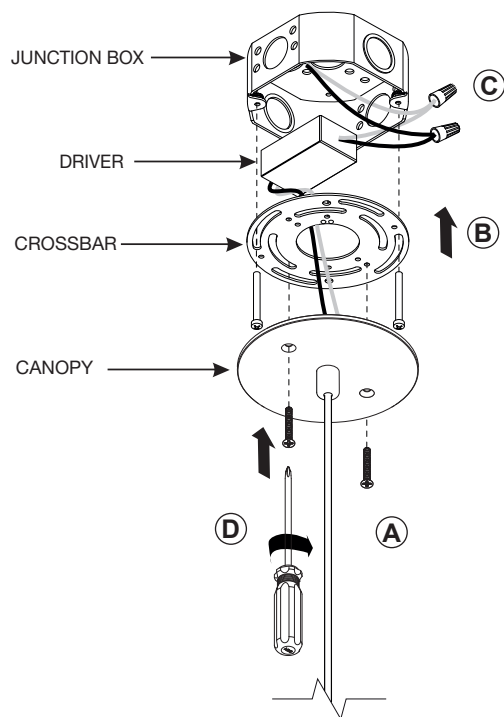
The first point is marked as L1, the two others are marked on the drawing of the angle you chose. Make sure the electrical connection is close to one of these 3 points.

- The lengths of the steelcables are indicated in the center of the template. Choose a length for L1 and subtract (or add in case you want L1 to be the highest point of the ring) the indicated distance to fix the length of the other steelcables.

WIRING AND CANOPY INSTALLATION

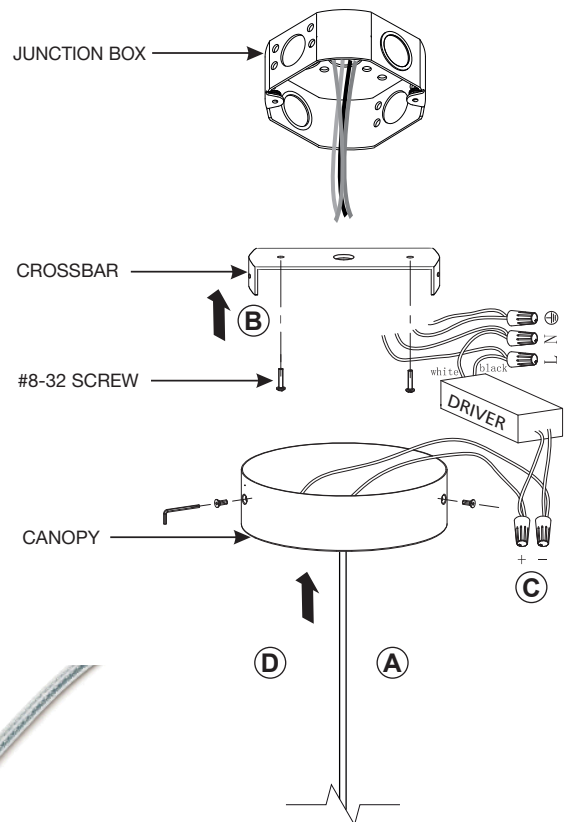
- A- ADJUST THE POWER CABLE LENGTH AND TIGHTEN THE POWER GRIP, TO LOCK POSITION. CUT THE CABLE SURPLUS.
- B- RAISE THE CROSSBAR AGAINST THE CEILING AND FASTEN TO THE JUNCTION BOX USING (2) MOUNTING SCREWS.
- C- MAKE ALL NECESSARY CONNECTIONS (**FOLLOWING WIRING DIAGRAM AND POLARITY MARKING**). MAKE THE CONNECTION FIRST AND INSTALL THE CROSSBAR AFTER.
- D- PLACE THE CANOPY OVER THE CROSSBAR AND SECURE ASSEMBLY IN PLACE WITH (2) SCREWS.

hoola 60/100



CONNECT FIXTURE CABLE TO 24V DRIVER

hoola 140



INSTALLATION SHEET

General installation and maintenance directives concerning factory guarantee. Connecting and testing the lamps must always happen by an acknowledged electrician according to the locally applying regulations on electric installations. Do not place on a flammable surface.

Luminart[®]

WWW.LUMINARTLIGHTING.COM

Last updated: 2/24/20