

SPIN

SUSPENSION

TYPE:

PROJECT NAME:

design by Beat Karrer



SPIN is an adjustable pendant luminaire interpreting the classic sphere – with a special feature. Thanks to the excentric mounting point the light direction can be adapted most easily. With SPIN changing the lighting mood is just one turn away. Even being familiar in appearance the inner life is equipped with up to date LED technology. A simple yet smart mounting unit simplifies changing the reflector which is available with different angles of radiation. Spin comes with a powder-coated surface in standard or customized colors.

SPECIFICATION SHEET

Luminart[®]

WWW.LUMINARTLIGHTING.COM
Last updated: 02/24/20

SPIN

SUSPENSION

TYPE:

PROJECT NAME:

spin hanging

LED	2700K	350mA	19W		
-----	-------	-------	-----	--	--

grey painted	T80H1DGL
white painted	T80H1DWL
black painted	T80H1DZL

spin hanging surface + driver (DIM)

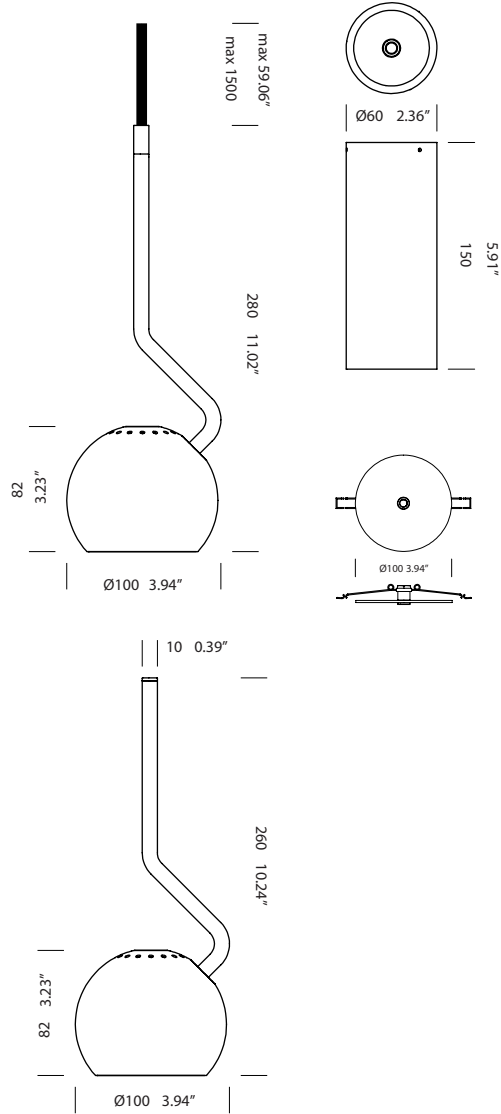
LED		120V	19W		
-----	--	------	-----	--	--

grey painted	T80P1DGL(D)
white painted	T80P1DWL(D)
black painted	T80P1DZL(D)

spin hanging recessed + driver (DIM)

LED		120V	19W		
-----	--	------	-----	--	--

grey painted	T80P2DGL(D)
white painted	T80P2DWL(D)
black painted	T80P2DZL(D)



SPECIFICATION SHEET

ORDERING INFO

Model (Order Code)	Voltage	Dimming	Please note:
	<input type="radio"/> 120V	<input type="radio"/> LTE (Leading/Trailing Edge Dim)	277V is only compatible with 0-10V dimming
	<input type="radio"/> 277V	<input type="radio"/> 010V (0-10V)	

Installation note: Comes with a 4" backplate that mounts to a standard junction box

