

# MATRIX S ONE LED

L4.110L 12W LED

TYPE:

PROJECT NAME:

L4.110L

PLH110

MODEL #

FINISH

LED COLOUR

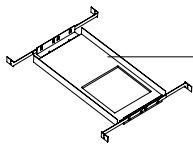
OPTIC

HOUSING

VOLTAGE



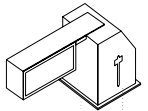
## CUT-OUT DIMENSIONS



PLASTER FRAME  
DIM.: 12-11/16" X 8-5/8"  
W/ CUT-OUT SLOT  
DIM.: 4 5/8" X 4-5/8"

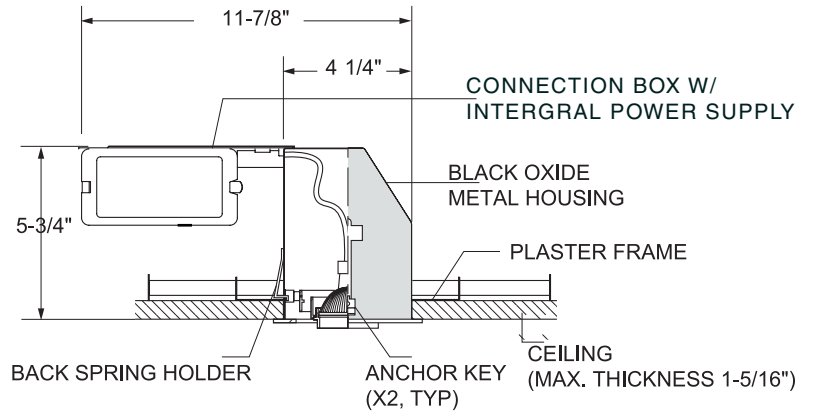


CUT-OUT IN CEILING  
DIM.: 4-1/2" X 4-1/2"

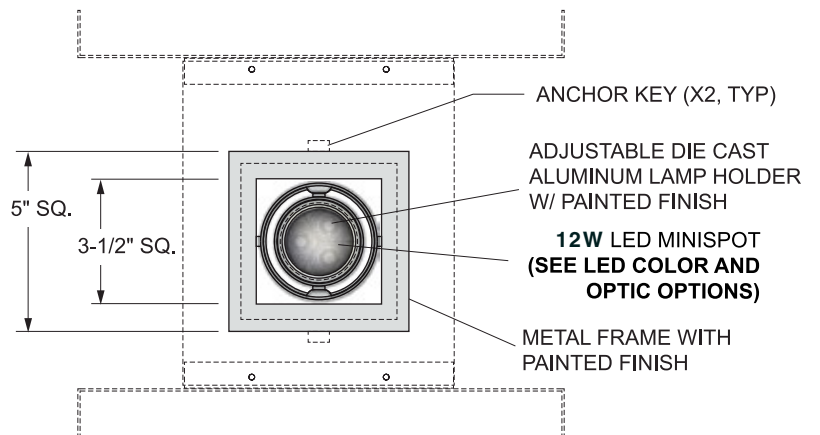


ANCHOR KEY  
(X2, TYP.)

## SECTION VIEW



## BOTTOM VIEW



## ACCESSORIES



L4.050 - FROSTED GLASS



L4.658 - COLORED GLASS  
05 - RED  
06 - YELLOW  
09 - SKY BLUE



L4.675 - LOUVRE



L4.111 - VISOR



L4.113 - ANTIGLARE

## OPTIC

10° - SPOT

25° - FLOOD

## LED COLOUR

00 - 12W LEDCOOL WHITE 4300K

01 - 12W LED WARM WHITE 2700K

## METAL FINISH

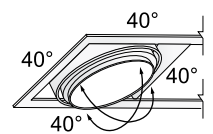
01. WHITE

02. BLACK

10. GREY



## TILT ANGLE



## VOLTAGE

120V

220V

SPECIFICATION SHEET

LEDOLOGY®

A Luminart® BRAND

WWW.LUMINARTLIGHTING.COM

# MATRIX L ONE

L4.210L 17W LED

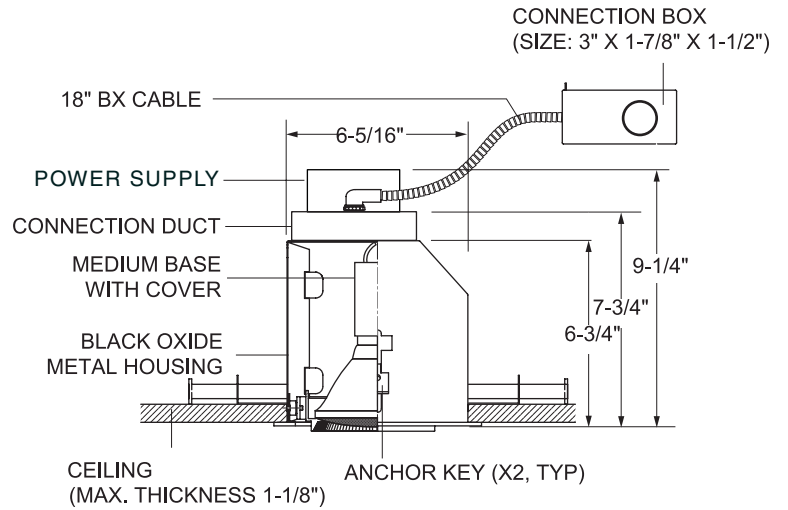
**TYPE:**

**PROJECT NAME:**

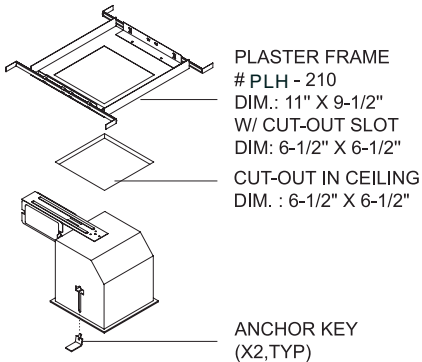
<b>L4.210L</b>	-	-	-	-	<b>PLH210</b>	-	-
MODEL #	FINISH	LED COLOUR	OPTIC	HOUSING	VOLTAGE		



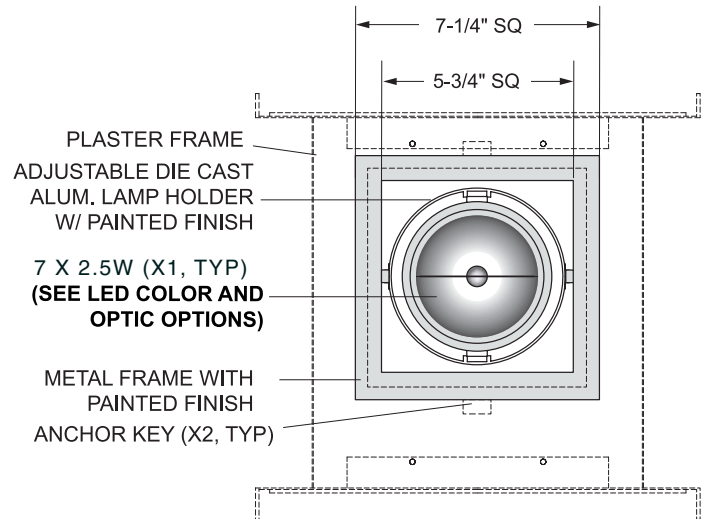
## SELECTION VIEW



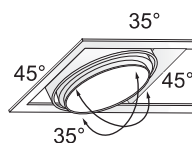
## CUT-OUT DIMENSIONS



## BOTTOM VIEW



## TILT ANGLE



SPECIFICATION SHEET

### METAL FINISH

01. WHITE    02. BLACK    10. GREY

### LED COLOUR

00 - 17W LED COOL WHITE 4300K  
 01 - 17W LED WARM WHITE 2700K

### OPTIC

10° - SPOT    25° - FLOOD

### VOLTAGE

120V    220V

**LEDOLOGY**®

A **Luminart** BRAND

WWW.LUMINARTLIGHTING.COM