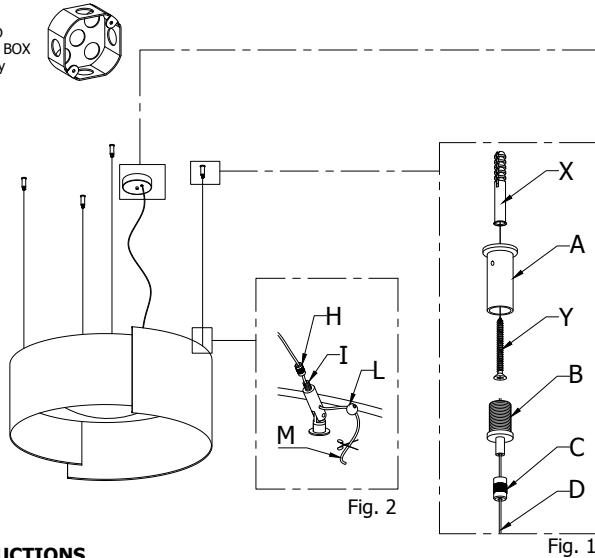


# ALCO SUSPENSION

## QUAD CABLE OPTION INSTALLATION SHEET

STANDARD JUNCTION BOX  
Supplied by contractor



### INSTRUCTIONS

- Disconnect the power source.

#### STEP 1

- To the ceiling fix the suspension cable anchor (A) with the screw (X) and the dowel (Y) (Fig. 1).
- Screw the cable anchor fitting (B) to the suspension cable anchor (A). Unscrew the safety lock (C)(Fig. 1).
- If necessary, regulate the structure by loosening the screw of the safety cable lock (L), unscrew the detail (H), regulate the steel cable (M) by pressing the detail (I) and then close again the detail (H). Replace the safety cable lock (L) and screw the screw. Cut the cable in excess (Fig. 2).

#### STEP 2

- unscrew decorative nut (A) and bring down the canopy (B) (Fig.2)
- Make wiring connections
- Fix the metal backplate (F) with the screws (R) to junction box. (Fig.3)
- Place the canopy (B) in the ceiling. Screw the decorative nut (A) to threaded component (E), and fasten the safety screw (V) with tool (Fig.4)

#### STEP 3

- Place the dome cover (P) insert the pins (W) in the holes, tighten the nuts (Fig.5)

#### STEP 4

- Fix the panels A and B with the appropriate screws (V) (Fig.6)

### ATTENTION

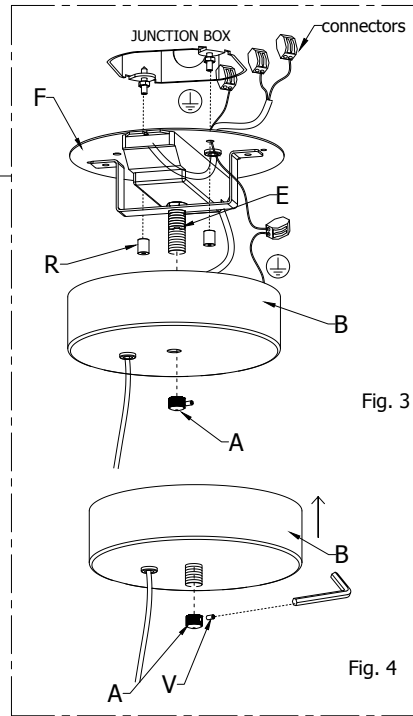
The products of our production are suitable for the using in usual surroundings with standard temperature and humidity levels. All the operations have to be done by a technician.

### CLEANING

**Switch off power.**

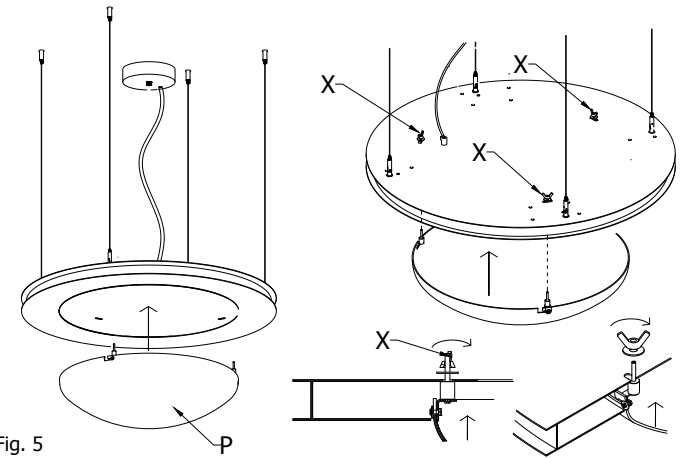
For the periodical cleaning of the lamp use always gloves and a soft cloth or a feather duster.

**Don't use aggressive solvents or alcohol.**



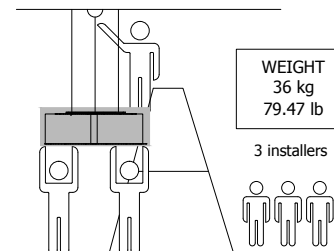
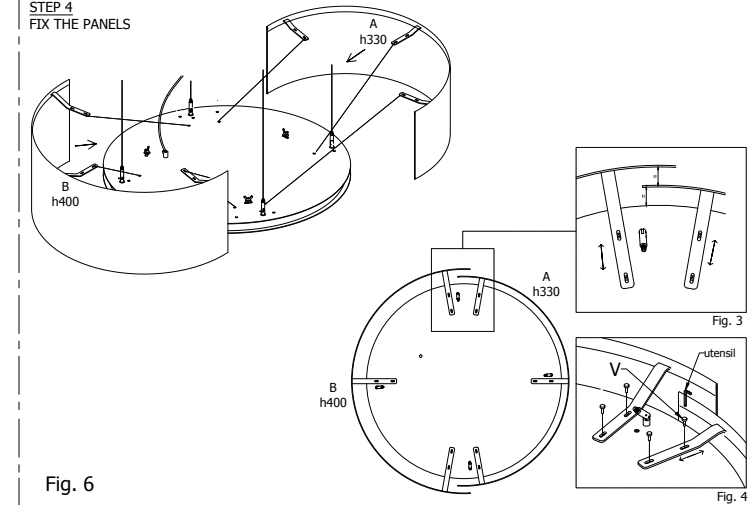
### STEP 3

Place the dome cover



### STEP 4

FIX THE PANELS



Phase Dimming	
green-yellow GROUND	1
black PHASE	2
white NEUTRAL	3

0-10V Dimming	
green-yellow GROUND	1
black PHASE	2
white NEUTRAL	3
D1	4
D2	5

