

CIRCUS L03S150

SUSPENSION

TYPE:

PROJECT NAME:

CIRCUS round Acoustic L03S150 EMPOWERED - DOUBLE LED

category	hanging lamp
description	Hanging lamp for diffused light. Bent aluminium structure in matt white or black powder coating, with built-in flexible LED strip and opal PMMA cover. Metal ceiling canopy in matt white powder coating.
application	architectural / indoor lighting
materials	aluminium structure, opal PMMA cover
finishing	<input type="radio"/> matt white <input checked="" type="radio"/> matt black



CIRCUS round Acoustic
L03S150 EMPOWERED

design: Carlo Zerbaro, 2015



ELECTRICAL FEATURES

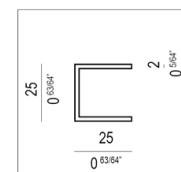
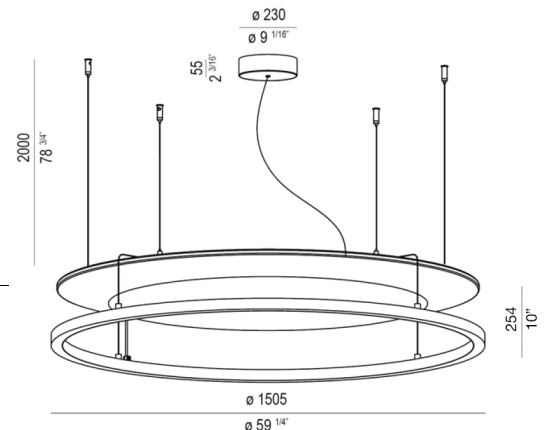
light source	LED
LED technics (source lumen)	LED 130W 24VDC 8776lm 4000K CRI>80 110V or 277V 50-60Hz
light control	dimnable
standard dimming type	0-10V Dim or Leading Trailing Edge/TRIAC

a system for architectural lighting and acoustic control.

PHYSICAL FEATURES

inox cables length	2000 mm / 78 3/4" - adjustable
electricity supply	electric cable
weight	4 kg

dimensions mm/inch



circular structure profile dimensions

SPECIFICATION SHEET

Honeycomb polycarbonate acoustic panel \varnothing 1500 mm with a removable cover in white, beige or black 100% polyester 3D fabric (more colors on request).

Luminart

WWW.LUMINARTLIGHTING.COM
Last updated: 9/14/20