

PEGGY

SUSPENSION

TYPE:

PROJECT NAME:

IP20



Finish

Non-acoustic:



White

PMMA



Black



Matte gold

Acoustic:



Wool

Uplight and
downlight

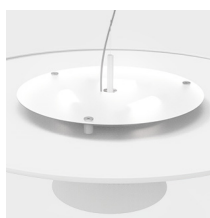
Painted metal disc
or wool fabric
acoustic disc. Conic
diffuser in painted
metal or globe
diffuser in opal
PMMA



Wool



Canopy detail



Top cover kit for
R7s version



Peggy: Up light
emission detail



Peggy LED:Up light
emission detail



Peggy Ball: Up
light emission
detail



Cod. 650
Sand



Cod. 651
Orange



Cod. 652
Green



Cod. 653
Mustard yellow



Cod. 654
Purple



Cod. 655
Avio blue



Cod. 656
Dark grey

SPECIFICATION SHEET

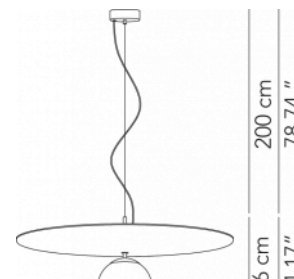
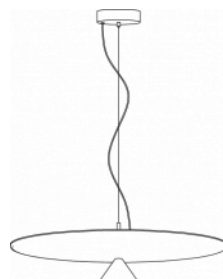
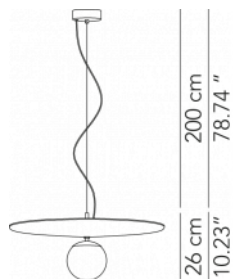
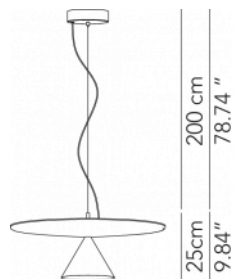
PEGGY

SUSPENSION

TYPE:

PROJECT NAME:

Pendant lamp Cone - D. 60	ø 60 x 25 cm 6 Kg	lamp type 1 x 15W E26 LED + 3 x 5W R7S LED	L82PEGESO060G01
	ø 60 x 25 cm 6 Kg	lamp type 2 led module 17W + 9W luminous efficacy 3755 Lm light colour 2700 K cri >80	L82PEGESO060G02
Pendant lamp Ball - D. 60	ø 60 x 25 cm 6 Kg	lamp type 1 x 15W E26 LED + 3 x 5W R7S LED	L82PEBESO060M01
Pendant lamp Cone - D. 80	ø 80 x 30 cm 8,5 Kg	lamp type 1 x 15W E26 LED + 3 x 5W R7S LED	L82PEGESO080G01
	ø 80 x 30 cm 8,5 Kg	lamp type 2 led module 17W + 18W luminous efficacy 5141 Lm light colour 2700 K cri >80	L82PEGESO080G02
Pendant lamp Ball - D. 80	ø 80 x 30 cm 8,5 Kg	lamp type 1 x 15W E26 LED + 3 x 5W R7S LED	L82PEBESO080M01



SPECIFICATION SHEET

ORDERING INFO

Model (Order Code)	Finish	LED	Remote Driver Options
		<input type="radio"/> 2700K <input type="radio"/> 3000K <input type="radio"/> 4000K	<input type="radio"/> 120V Phase Dimming



Fixture comes with a 4" backplate that mounts to a standard junction box.

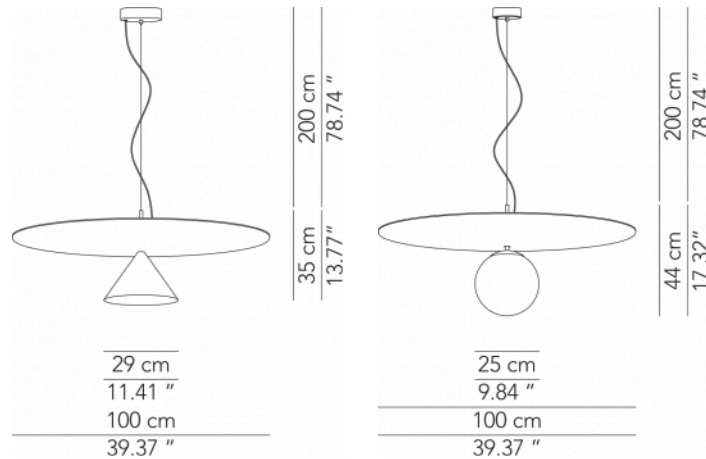
PEGGY

SUSPENSION

TYPE:

PROJECT NAME:

Pendant lamp Cone - D. 100	ø 100 x 35 cm 12 Kg	lamp type 1 x 15W E26 LED + 3 x 5W R7S LED	L82PEGESO100G01
	ø 100 x 35 cm 12 Kg	lamp type 2 led module 17W + 18W luminous efficacy 5287 Lm light colour 2700 K cri >80	L82PEGESO100G02
Pendant lamp Ball - D. 100	ø 100 x 35 cm 12 Kg	lamp type 1 x 15W E26 LED + 3 x 5W R7S LED	L82PEBESO100M01



ORDERING INFO

Model (Order Code)	Finish	LED	Remote Driver Options
		<input type="radio"/> 2700K <input type="radio"/> 3000K <input type="radio"/> 4000K	<input type="radio"/> 120V Phase Dimming

ETL Intertek

Fixture comes with a 4" backplate that mounts to a standard junction box.