

# PEGGY

## SUSPENSION

TYPE:

PROJECT NAME:

### Finish

Non-acoustic:



White

PMMA



Black



Matte gold

Acoustic:



Wool

Uplight and  
downlight

Painted metal disc  
or wool fabric  
acoustic disc. Conic  
diffuser in painted  
metal or globe  
diffuser in opal  
PMMA

IP20

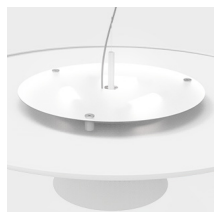


\* on demand

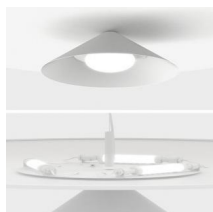
\*\* cable on measure



Canopy detail



Top cover kit for  
R7s version



Peggy: Up light  
emission detail



Peggy LED: Up light  
emission detail



Peggy Ball: Up  
light emission  
detail



Wool



Cod. 650  
Sand



Cod. 651  
Orange



Cod. 652  
Green



Cod. 653  
Mustard yellow



Cod. 654  
Purple



Cod. 655  
Blue



Cod. 656  
Dark grey

SPECIFICATION SHEET

**Luminart®**

WWW.LUMINARTLIGHTING.COM  
Last updated: 11/05/20

# PEGGY

## SUSPENSION


### TYPE:

### PROJECT NAME:

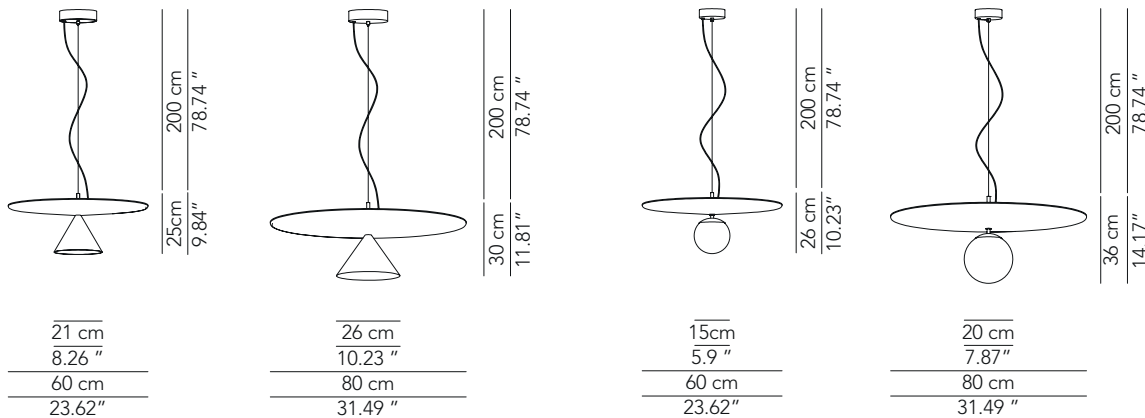
<b>Pendant lamp Cone - D. 60</b>	ø 60 x 25 cm 6 Kg	lamp type 4xE26 max watt 1 x 42W HES + 3 x 75W R7S	L82PEGESO060G01
	ø 60 x 25 cm 6 Kg	lamp type 2 led module 17W + 9W luminous efficacy 3755 Lm light colour 2700 K cri >80	L82PEGESO060G02
<b>Pendant lamp Ball - D. 60</b>	ø 60 x 25 cm 6 Kg	lamp type 4xG9 max watt 1 x 42W HES + 3 x 75W R7S	L82PEBESO060M01
	<b>Pendant lamp Cone - D. 80</b>	ø 80 x 30 cm 8,5 Kg	lamp type 4xE26 max watt 1 x 42W HES + 3 x 105W R7S
	ø 80 x 30 cm 8,5 Kg	lamp type 2 led module 17W + 18W luminous efficacy 5141 Lm light colour 2700 K cri >80	L82PEGESO080G02
<b>Pendant lamp Ball - D. 80</b>	ø 80 x 30 cm 8,5 Kg	lamp type 4xE26 max watt 1 x 42W HES + 3 x 105W R7S	L82PEBESO080M01

### ORDERING INFO

Model (Order Code)	Finish	LED	Voltage	Dimming
		<input type="radio"/> 2700K	<input type="radio"/> 120V	<input type="radio"/> LTE (Leading/Trailing Edge Dim)
		<input type="radio"/> 3000K	<input type="radio"/> 277V	<input type="radio"/> 010V (0-10V)
		<input type="radio"/> 4000K		


 Fixture comes with a 4" backplate that mounts to a standard junction box.  
 Please note: 277V is only compatible with 0-10V dimming. Screw-in bulbs are only compatible with 120V with LTE dimming.

SPECIFICATION SHEET



**Luminart®**

WWW.LUMINARTLIGHTING.COM  
Last updated: 11/05/20

# PEGGY

## SUSPENSION


**TYPE:**

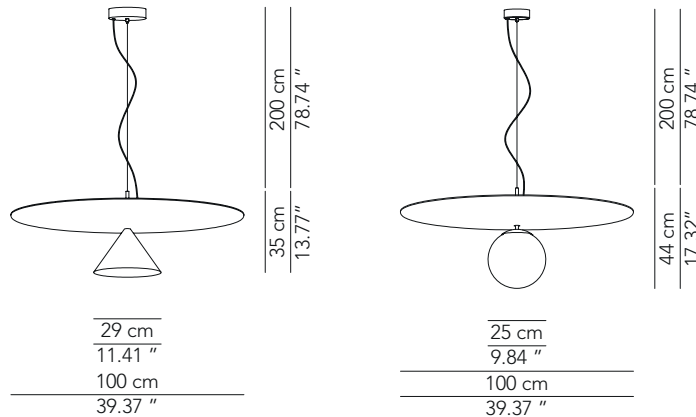
**PROJECT NAME:**

<b>Pendant lamp Cone - D. 100</b>	ø 100 x 35 cm 12 Kg	lamp type 4xE26 max watt 1 x 42W HES + 3 x 105W R7S	L82PEGESO100G01
	ø 100 x 35 cm 12 Kg	lamp type led module 17W + 18W luminous efficacy 5287 Lm light colour 2700 K cri >80	L82PEGESO100G02
<b>Pendant lamp Ball - D. 100</b>	ø 100 x 35 cm 12 Kg	lamp type 4xE26 max watt 1 x 42W HES + 3 x 105W R7S	L82PEBESO100M01

### ORDERING INFO

Model (Order Code)	Finish	LED	Voltage	Dimming
		<input type="radio"/> 2700K	<input type="radio"/> 120V	<input type="radio"/> LTE (Leading/Trailing Edge Dim)
		<input type="radio"/> 3000K	<input type="radio"/> 277V	<input type="radio"/> 0-10V (0-10V)
		<input type="radio"/> 4000K		


 Fixture comes with a 4" backplate that mounts to a standard junction box. Please note: 277V is only compatible with 0-10V dimming. Screw-in bulbs are only compatible with 120V with LTE dimming.



SPECIFICATION SHEET