

POP 04 Ø08

RECESSED

TYPE:

PROJECT NAME:



POP 04 Ø08

IP40

350mA LED 13.4W CRI>90

L173E04.2 S□

L174E04.2 S□

With honeycomb

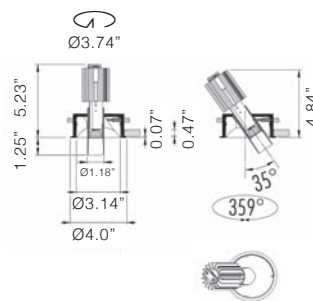
■ Led color Nominal lm ▲ Beam spread

2 = 2700°K 1650 25°

3 = 3000°K 1727

4 = 4000°K 1786

□	Frame
02	Black
06	White
C1	Copper Anodized
S1	Brass Anodized



SPECIFICATION SHEET

ORDERING INFO

Model (Order Code)	Finish	LED	Remote Driver Options
	<input type="radio"/> 02 Black	<input type="radio"/> 2700K	<input type="radio"/> 120V Phase Dimming
	<input type="radio"/> 06 White	<input type="radio"/> 3000K	<input type="radio"/> 120V 0-10V Dimming
	<input type="radio"/> C1 Copper Anodized	<input type="radio"/> 4000K	<input type="radio"/> 277V 0-10V Dimming
	<input type="radio"/> S1 Brass Anodized		



Luminart®

WWW.LUMINARTLIGHTING.COM