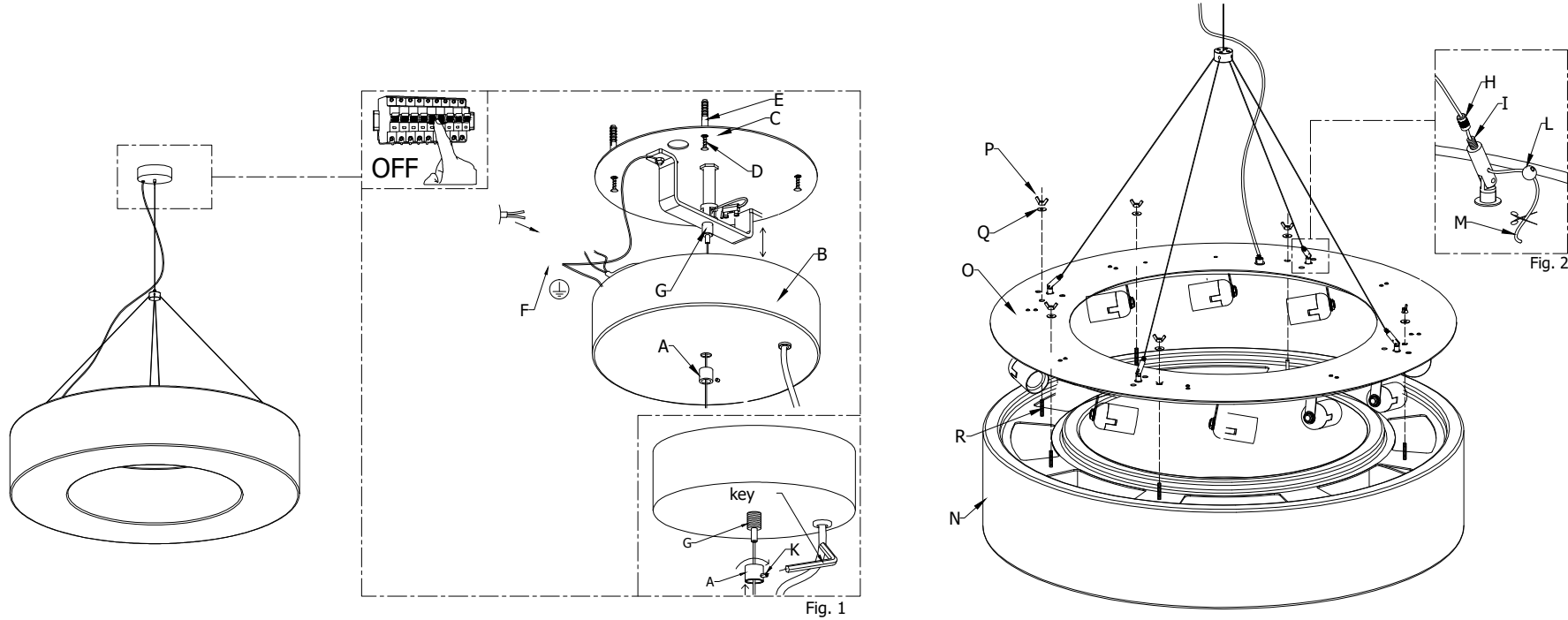


ATOLLO E26

INSTALLATION INSTRUCTIONS

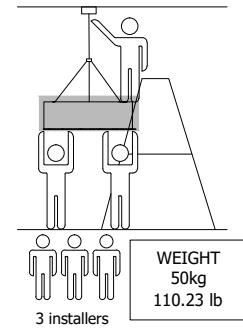
TYPE:

PROJECT NAME:



INSTRUCTION

- Switch off the power or pull the plug out.
- Unscrew the gripper (A) and lower the canopy (B). (Fig.1)
- Fix the bracket (C) with screw (D) and dowels (E) on the ceiling. (Fig.1)
- Adjust the length of the steel cable acting on regulating terminal security (G), push the part of the gripper so that the steel cable runs. (Fig.1)
- Connect the wires (F) according to polarity, and close the box. (Fig.1)
- Tense the power cable slightly.
- Place the canopy in the ceiling. Screw with care the gripper (A), the block cable (G). Screw the safety screw (K) (FIG.1).
- If necessary, regulate the structure by loosening the screw of the safety cable lock (L), unscrew the lock (H), regulate the steel cable (M) by pressing the detail (I) and then close again the lock (H). Replace the safety cable lock (L) and screw the screw. Cut the cable in excess (Fig. 2).
- It is possible to disassemble the diffuser (N) to the mount (O) by unscrewing the butterflies (P) with the washers (Q) to the threaded pins (R).



ATOLLO \varnothing 150 6 ring nuts to fix the lampshade

ATTENTION

The products of our production are suitable for the using in usual surroundings with standard temperature and humidity levels. All the operations have to be done by a technician.

CLEANING

Switch off the power or pull the plug out.

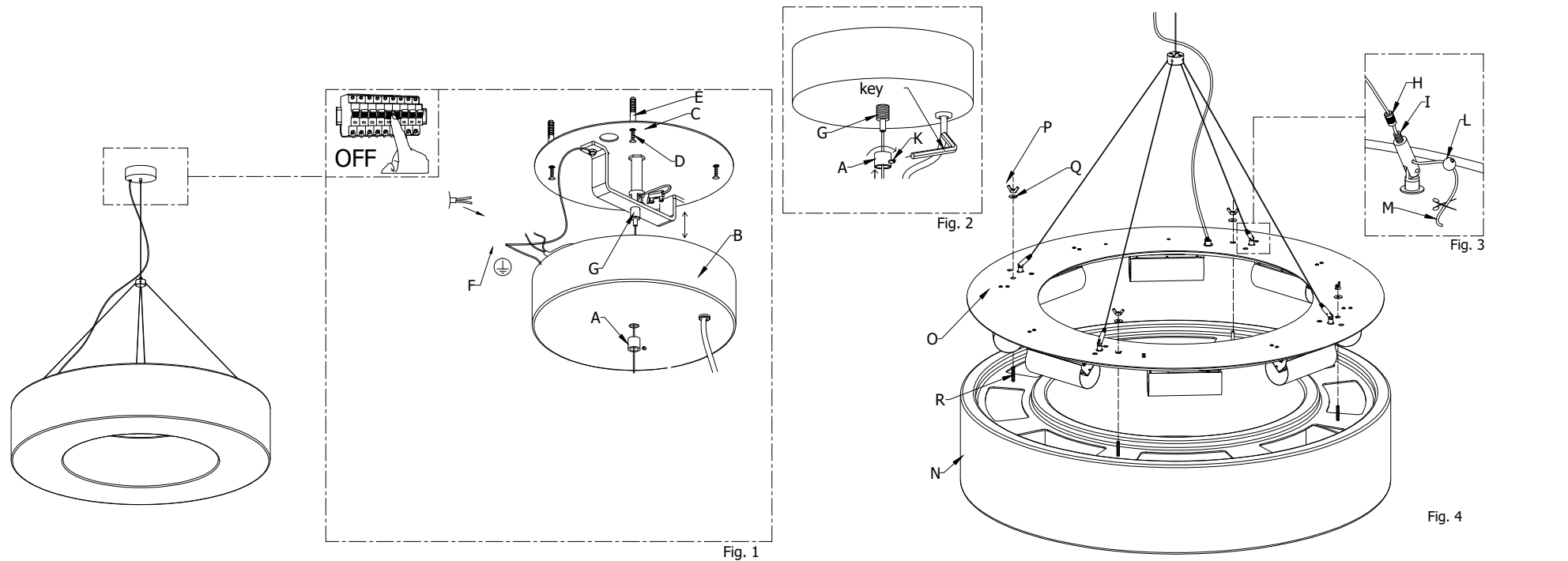
For the periodical cleaning of the lamp use always gloves and a soft cloth (for glossy surfaces) or a feather duster for the lampshade in fabric or pleated fabric. Don't use aggressive solvents or alcohol.

ATOLLO LED

INSTALLATION INSTRUCTIONS

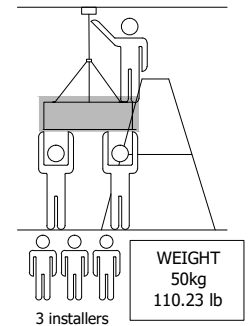
TYPE:

PROJECT NAME:



INSTRUCTION

- Switch off the power or pull the plug out.
- Unscrew the gripper (A) and lower the canopy (B). (Fig.1)
- Fix the bracket (C) with screw (D) and dowels (E) on the ceiling. (Fig.1)
- Adjust the length of the steel cable acting on regulating terminal security (G), push the part (B) of the gripper so that the steel cable runs. (Fig.1)
- Connect the wires (F) according to polarity, and close the box. (Fig.1)
- Tense the power cable slightly.
- Place the canopy in the ceiling. Screw with care the gripper (A), the block cable (G).(Fig.2)
- If necessary, regulate the structure by loosening the screw of the safety cable lock (L), unscrew the lock (H), regulate the steel cable (M) by pressing the detail (I) and then close again the lock (H). Replace the safety cable lock (L) and screw the screw. Cut the cable in excess (Fig. 3).
- It is possible to disassemble the diffuser (N) to the mount (O) by unscrewing the butterflies (P) with the washers (Q) to the threaded pins (R).(Fig.4).



ATOLLO ϕ 150 6 ring nuts to fix the lampshade

ATTENTION

The products of our production are suitable for the using in usual surroundings with standard temperature and humidity levels.
All the operations have to be done by a technician.

CLEANING

Switch off the power or pull the plug out.

For the periodical cleaning of the lamp use always gloves and a soft cloth (for glossy surfaces) or a feather duster for the lampshade in fabric or pleated fabric. Don't use aggressive solvents or alcohol.