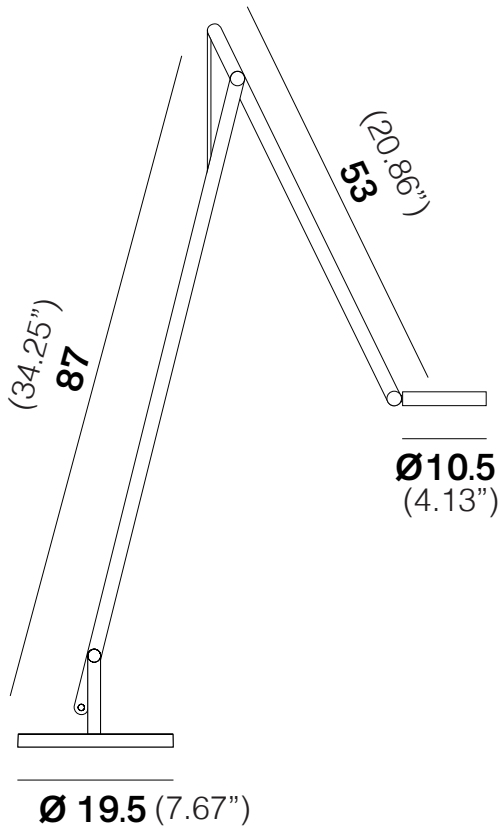


# STRING

L16F1

TYPE:

PROJECT NAME:



String L16F1



Dim to Warm (DTW) version available on request

Light Source	LED
Power	9 Watt
Kelvin	2700
Kelvin DTW	2500 » 4000
Dimmer	push button
Dimmer DTW	push dim to warm
Lumen	700
Lumen DTW	100 » 600
CRI	90

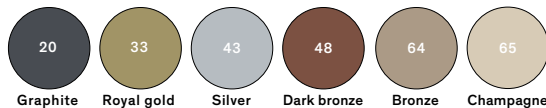


SPECIFICATION SHEET

Standard Matte Finish



Satin Finish (On Request)



Kerakoll Warm Finish (On Request)



Cable color

