

# ANGELICA

OUTDOOR WALL

TYPE:

PROJECT NAME:

## Finish

Structure



White



Black

Lampshade



Washable

Fabric lampshade,  
metal structure

Metal parts  
protected with  
electrolytic  
galvanizing  
treatment and  
resistant polyester  
coating

IP44/55



Detail



Detail

SPECIFICATION SHEET

\* on demand

# ANGELICA

OUTDOOR WALL

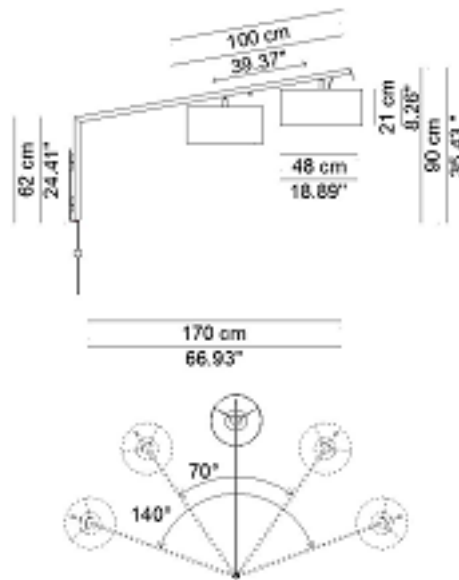
TYPE:

PROJECT NAME:

Wall lamp - L 170

lamp type 1xE26  
max watt 15W LED

L82AGOEAP170T01



Washable



Code 616  
Natural



Code 618  
Marble



Code 614  
Sunlime



Code 617  
Moleskin



Code 613  
Flanelle

SPECIFICATION SHEET

## ORDERING INFO

Model (Order Code)

Structure Finish

Lampshade Finish

Power Options

- 120V Hardwired with Phase Dimming
- 120V Plug-in version



**Luminart®**

WWW.LUMINARTLIGHTING.COM