

2TUBES WALL

Charles Kalpakian

CODE#

TYPE:

PROJECT NAME:

Ceiling and wall luminaries composed of two cylindrical elements in extruded aluminum, equipped with an opal polycarbonate lens for a diffused uniform light. Ceiling version with a 340° rotation for the ceiling fixed element while the other element adjustable by 90°. Wall version with a wall fixed element and the other adjustable by 60°. Available in white and grey, white and light gold and white and light white powder coated finishing. Dimmable.



SPECIFICATION SHEET

Luminart®

WWW.LUMINARTLIGHTING.COM

2TUBES WALL

Charles Kalpakian

CODE#

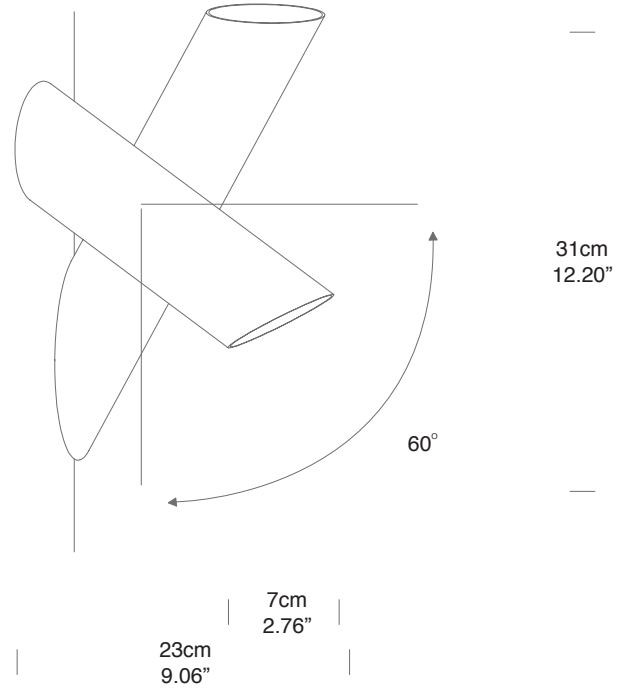
TYPE:

PROJECT NAME:

LED

Lamping

| | |
|-------------------|----------------------|
| Source | LED BOARD |
| Total power | 2x13W |
| Emission | Diffused, Orientable |
| Dimming | Dimmable TRIAC |
| Voltage | 120V |
| Color temperature | 2700K |
| Luminous flux | 2400lm |
| Typ cri | 80 |
| Energy class | A+ |
| Ip class | 40 |
| Dimensions | 14x23x30 |
| Materials | Aluminium |



Codes

TTU LWD 31
TTU LWG 31
TTU LWW 31

Structure

white/grey
white/light gold
white/white

Diffuseur

Package

| | | |
|---------------|----------|----------------------|
| LxPxH (base) | 26x26x26 | (10.24x10.24x10.24") |
| Weight (base) | 1.2kg | (2.64lbs) |

SPECIFICATION SHEET

Luminart®

WWW.LUMINARTLIGHTING.COM