

ELLISSE PENDANT MINOR

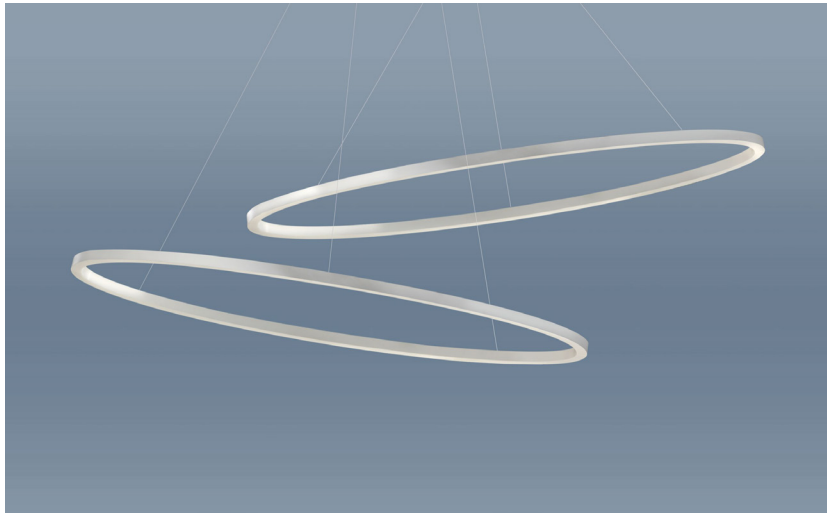
Federico Palazzari

CODE#

TYPE:

PROJECT NAME:

LED pendant lamp, available in three versions: major, minor and double, widespread direct or indirect lighting. Extruded aluminium, matt white or matt black painted. Opalin diffuser. Ellisse is manufactured through a technology studied by NEMO to combine the extruded bar (patent pending).



SPECIFICATION SHEET

Luminart[®]

WWW.LUMINARTLIGHTING.COM

ELLISSE PENDANT MINOR

Federico Palazzari

CODE#

TYPE:

PROJECT NAME:

UPLIGHT

Lamping

Source	LINEAR LED
Total power	54W
Emission	Diffused up
Dimming	Triac
Voltage	120V
Color temperature	2987K
Luminous flux Typ	5400lm
cri	80
Energy class	A+
Dimensions	95x40x250
Materials	Aluminium



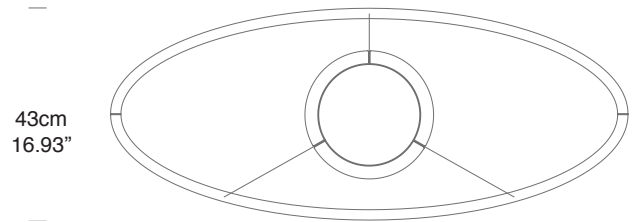
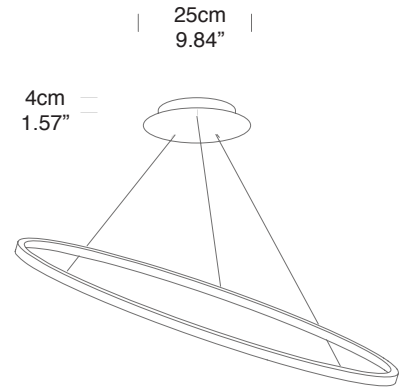
Codes

L10ELP LWW 51
L10ELP LNW 51

Structure



Diffuseur



102cm
40.16"

cable length 2.5m
98.43"

ELLISSE PENDANT MINOR

Federico Palazzari

CODE#

TYPE:

PROJECT NAME:

DOWNLIGHT

Lamping

Source	LINEAR LED
Total power	54W
Emission	Diffused down
Dimming	Triac
Voltage	120V
Color temperature	2987K
Luminous flux	5400lm
Typ cri	80
Energy class	A+
Dimensions	95x40x250
Materials	Aluminium



Codes

L10ELP LWW 52
L10ELP LNW 52

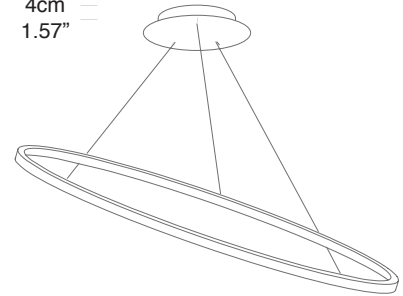
Structure



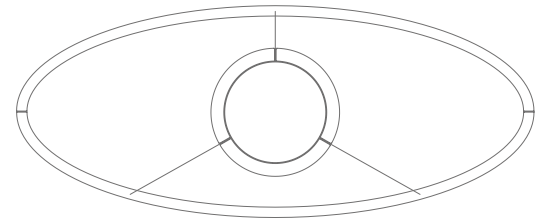
Diffuseur

25cm
9.84"

4cm
1.57"



43cm
16.93"



102cm
40.16"

cable length 2.5m
98.43"

SPECIFICATION SHEET

Luminart[®]

WWW.LUMINARTLIGHTING.COM