

RIVIERA

CODE#

TYPE:

PROJECT NAME:

Ceiling lamp. The glass twists and locks into place. Diffuser in opal blown glass and base in white epoxy-coated metal.



SPECIFICATION SHEET

RIVIERA

CODE#

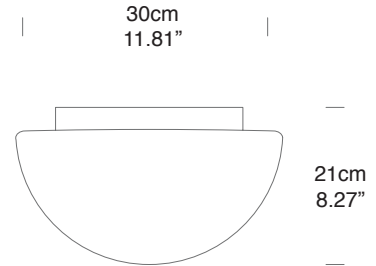
TYPE:

PROJECT NAME:

ELECTRONIC 30 FLUO

Lamping

Source	G24q-3 TC-TEL
Total power	2 x 26W
Emission	diffused
Voltage	120V
Ip class	20
Materials	metal + glass



Codes

RII PWW 42

Structure



Diffuseur

SPECIFICATION SHEET

RIVIERA

CODE#

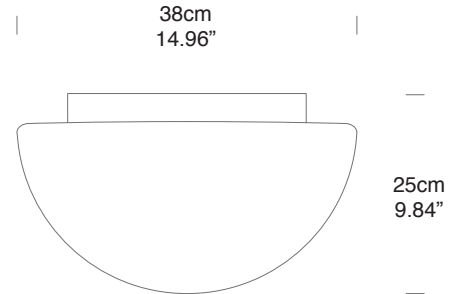
TYPE:

PROJECT NAME:

ELECTRONIC 38 FLUO

Lamping

Source	G24q-3 TC-TEL
Total power	2 x 26W
Emission	diffused
Voltage	120V
Ip class	20
Materials	metal + glass



Codes

RII PWW 43

Structure



Diffuseur

Package

LxPxH (base)	50x50x50	(19.69x19.69x19.69")
Weight (base)	7kg	(15.4lbs)

RIVIERA

CODE#

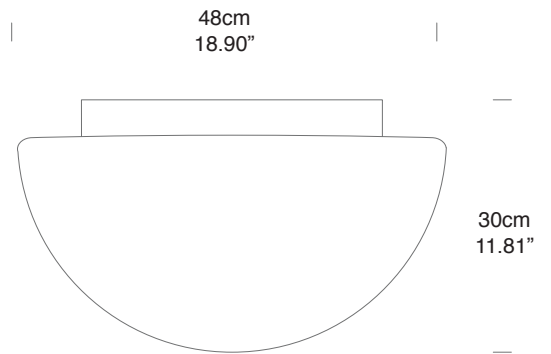
TYPE:

PROJECT NAME:

ELECTRONIC 48 FLUO

Lamping

Source	G24q-3 TC-TEL
Total power	2 x 26W
Emission	diffused
Voltage	120V
Ip class	20
Materials	metal + glass



Codes

RII PWW 44

Structure



Diffuseur

Package

LxPxH (base)	60x60x60	(23.62x23.62x23.62")
Weight (base)	10kg	(22lbs)

RIVIERA

CODE#

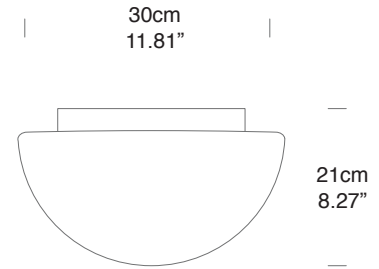
TYPE:

PROJECT NAME:

TWIST 30 E27 FLUO/LED/HALO

Lamping

Source	E27 A60
Total power	2 x 75W
Emission	diffused
Dimming	dimmable
Voltage	120V
Ip class	20
Materials	metal + glass



Codes

RII EWW 42

Structure



Diffuseur

Package

LxPxH (base)	40x40x42	(15.75x15.75x16.54")
Weight (base)	4kg	(8.8lbs)

RIVIERA

CODE#

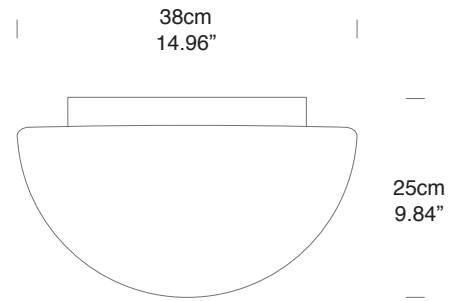
TYPE:

PROJECT NAME:

TWIST 38 E27 FLUO/LED/HALO

Lamping

Source	E27 A60
Total power	2 x 75W
Emission	diffused
Dimming	dimmable
Voltage	120V
Ip class	20
Materials	metal + glass



Codes

RII EWW 43

Structure



Diffuseur

Package

LxPxH (base)	55x55x35	(21.65x21.65x21.65")
Weight (base)	5.2kg	(11.44lbs)

RIVIERA

CODE#

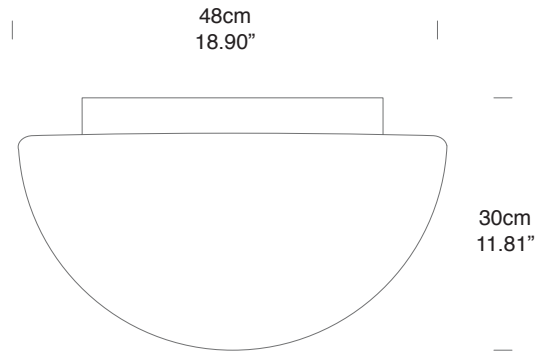
TYPE:

PROJECT NAME:

TWIST 48 E27 FLUO/LED/HALO

Lamping

Source	E27 A60
Total power	3 x 60W
Emission	diffused
Dimming	dimmable
Voltage	120V
Ip class	20
Materials	metal + glass



Codes

RII EWW 44

Structure



Diffuseur

Package

LxPxH (base)	60x60x60	(23.62x23.62x23.62")
Weight (base)	9.9kg	(21.78lbs)