

WALL SHADOWS MOYEN

Charles Kalpakian

CODE#

TYPE:

PROJECT NAME:

Family of wall lamps for a diffused LED lighting, in different dimensions. Matt white powder coated aluminium.



SPECIFICATION SHEET

Luminart[®]

WWW.LUMINARTLIGHTING.COM

WALL SHADOWS MOYEN

Charles Kalpakian

CODE#

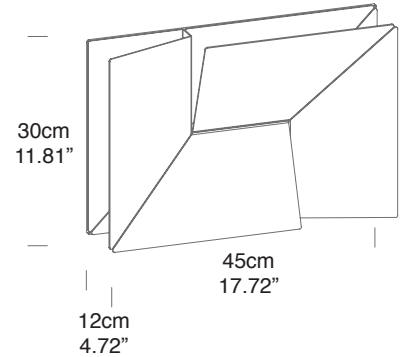
TYPE:

PROJECT NAME:

LED

Lamping

Source	LED BOARDS
Total power	10,5W
Emission	Diffused Indirect
Dimming	Triac
Voltage	120V
Color temperature	3000K
Luminous flux	1000lm
Typ cri	80
Energy class	A+
Dimensions	450x300x30
Materials	Aluminium



Codes

L10WSH LWW 33

Structure



Diffuseur

Package

LxPxH (base)	55x55x35	(21.65x21.65x13.78")
Weight (base)	4.5kg	(9.9lbs)

SPECIFICATION SHEET

Luminart®

WWW.LUMINARTLIGHTING.COM