

MOMA

WALL SUSPENSION

TYPE:

PROJECT NAME:

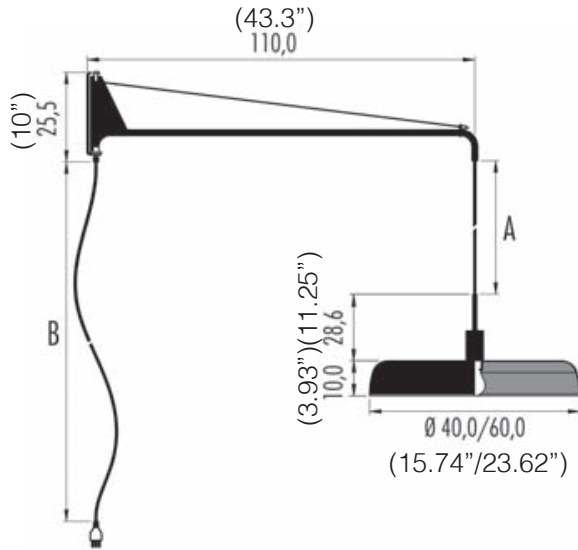


SPECIFICATION SHEET

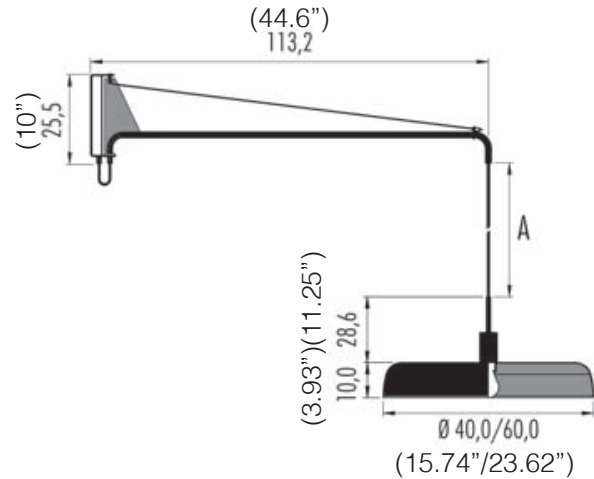
Luminart®

WWW.LUMINARTLIGHTING.COM

MoMa Wall Suspension Plugin *bi-color*



MoMa Wall Suspension Hardwired *bi-color*



IP20	Ⓛ	A+B=300cm (118")	
120V	e26	4W CRI>80	dimnable IGBT - Triac
L173M40L.12L.	<input type="checkbox"/>	Ø 40cm	
L173M60L.12L.	<input type="checkbox"/>	Ø 60cm	
Led color	Nominal lm	Beam spread	
2700K	470	163°	

IP20	Ⓛ	A=130cm (51")	
120V	e26	4W CRI>80	dimnable IGBT - Triac
L173M40M.12L.	<input type="checkbox"/>	Ø 40cm	
L173M60M.12L.	<input type="checkbox"/>	Ø 60cm	
Led color	Nominal lm	Beam spread	
2700K	470	163°	

Hardwired version comes with a 4" backplate that mounts to a standard junction box.

<input type="checkbox"/>	Out	In	Diffuser	Frame
KC	●	●	Black/Copper	Black
WC	○	●	White/Copper	White
BC	●	●	Blue/Copper	Blue
GC	●	●	Green/Copper	Green
PC	●	●	Rose/Copper	Rose
RC	●	●	Red/Copper	Red

Wire	Bulb
Copper	Transparent