

ELLISSE PENDANT MAJOR

Federico Palazzari

CODE#

TYPE:

PROJECT NAME:

LED pendant lamp, available in three versions: major, minor and double, widespread direct or indirect lighting. Extruded aluminium, matt white or matt black painted. Opalin diffuser. Ellisse is manufactured through a technology studied by NEMO to combine the extruded bar (patent pending).



SPECIFICATION SHEET

Luminart[®]

WWW.LUMINARTLIGHTING.COM

ELLISSE PENDANT MAJOR

Federico Palazzari

CODE#

TYPE:

PROJECT NAME:

DOWNLIGHT

Lamping

Source	LINEAR LED
Total power	78W
Emission	Diffused down
Dimming	Triac
Voltage	120V
Color temperature	2987K
Luminous flux	7800lm
Typ cri	80
Energy class	A+
Dimensions	130x70x250
Materials	Aluminium



Codes

ELP LWW 54
ELP LNW 54

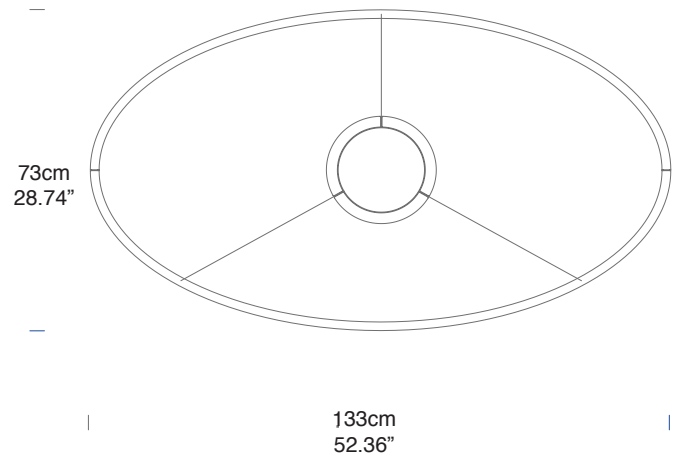
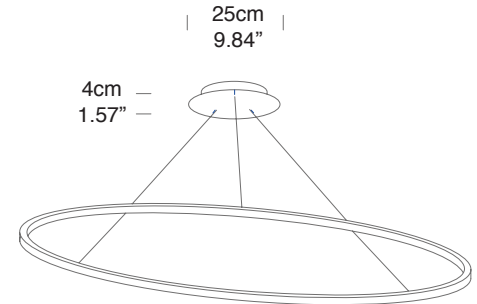
Structure



Diffuseur

Package

LxPxH (base) 147x79x15 (57.87x31.10x5.91")



cable length 2.5m
98.43"

SPECIFICATION SHEET

Luminart®

WWW.LUMINARTLIGHTING.COM

ELLISSE PENDANT MAJOR

Federico Palazzari

CODE#

TYPE:

PROJECT NAME:

UPLIGHT

Lamping

Source	LINEAR LED
Total power	78W
Emission	Diffused up
Dimming	Triac
Voltage	120V
Color temperature	2987K
Luminous flux	7800lm
Typ cri	80
Energy class	A+
Dimensions	130x70x250
Materials	Aluminium



Codes

ELP LWW 53
ELP LNW 53

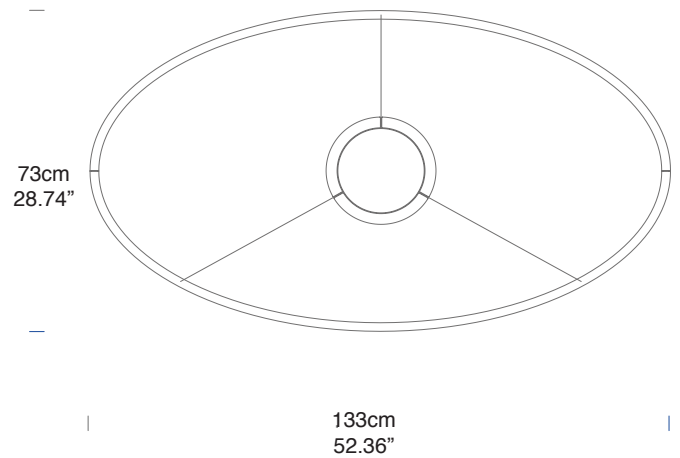
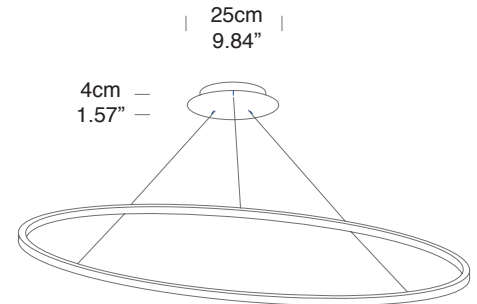
Structure



Diffuseur

Package

LxPxH (base) 147x79x15 (57.87x31.10x5.91")



cable length 2.5m
98.43"