

BRITE™ 1.0

LED SUBMERSIBLE

TYPE:

PROJECT NAME:



L5CW10	-	-	-	-	I	-
MODEL #	WATT	LED	OPTICS	FINISH	VOLTAGE	

DESCRIPTION:

Recessed axial spotlight. Aisi 316L stainless steel body, tempered glass, max. Installation depth of 3 m. Supplied with 5 m. of neoprene wiring. Elegant and discreet, it is the perfect solution when space is limited. suitable for lighting small pools, entrance areas such as stairs, hydro massage areas or interestingly, for slanting floors that create a beach effect. Watertight integrity is guaranteed by the silicon gaskets in the spotlight. Water levels must be lowered prior to the removal of the luminaire for any maintenance purposes.

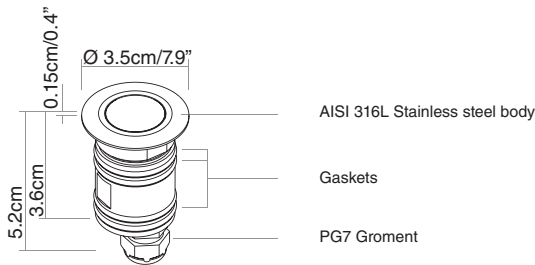
INSTALLATION NOTE:

Must be wired in series when two or more are wired together with same driver.

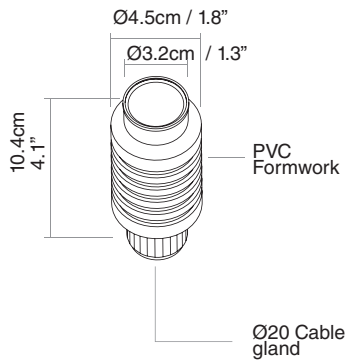


BRITE 1.0 LED SUBMERSIBLE

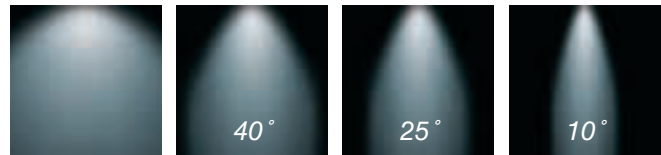
L5CW10



LWC5001 HOUSING



SPOT LIGHT



LED COLORS

- 0. 5000K WHITE
- 1. BLUE
- 5. 3000K WHITE

FINISH

- I. STAINLESS STEEL

WATTAGE

- 1W
- 2W

VOLTAGE

- 120V
- 220V
- 277V

OPTICS

- L. 40°
- M. 25°
- S. 10°
- D. DIFFUSED BEAM

SPECIFICATION SHEET

LEDOLOGY®

A **Luminart** BRAND

WWW.LUMINARTLIGHTING.COM

BRITE™ 1.0

LED SUBMERSIBLE



LEDOLOGY®

A **Luminart** BRAND

WWW.LUMINARTLIGHTING.COM