

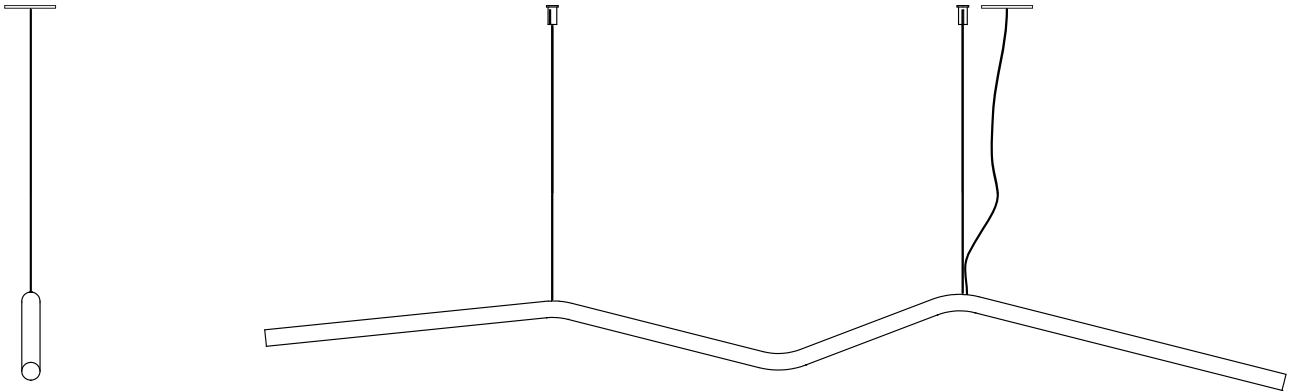
# BOOMER™

## INSTALLATION SHEET

TYPE:

PROJECT NAME:

### boomer



#### boomer 3000K dim



white painted  
black painted

**T86H1DWLD**  
**T86H1DZLD**

#### boomer 2400K dim



white painted  
black painted

**T86H2DWLD**  
**T86H2DZLD**

#### boomer 2700K dim



white painted  
black painted

**T86H5DWLD**  
**T86H5DZLD**



INSTALLATION SHEET

# BOOMER™

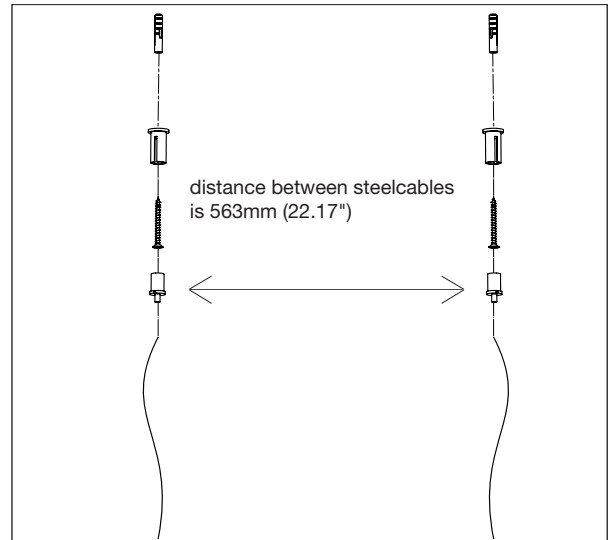
## INSTALLATION SHEET

TYPE:

PROJECT NAME:

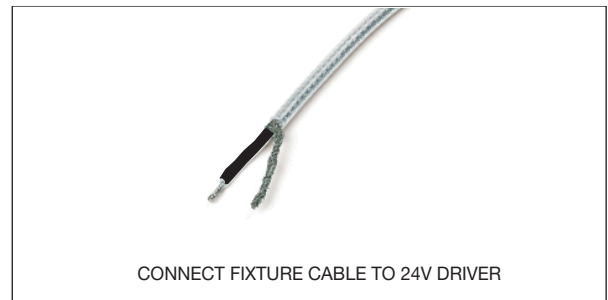
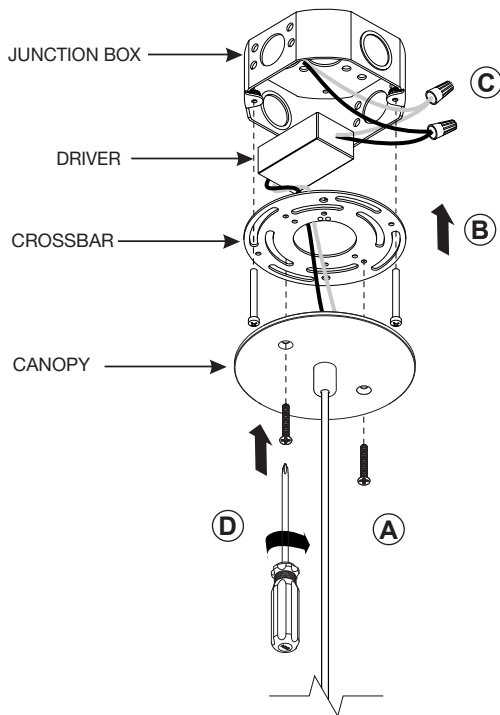
### SUSPENDING THE BOOMER

SUSPEND THE BOOMER WITH THE TWO STEELCABLES.  
ADJUST AS REQUIRED.



### WIRING AND CANOPY INSTALLATION

- A- ADJUST THE POWER CABLE LENGTH AND TIGHTEN THE POWER GRIP, TO LOCK POSITION. CUT THE CABLE SURPLUS.
- B- RAISE THE CROSSBAR AGAINST THE CEILING AND FASTEN TO THE JUNCTION BOX USING (2) MOUNTING SCREWS.
- C- MAKE ALL NECESSARY CONNECTIONS (**FOLLOWING WIRING DIAGRAM AND POLARITY MARKING**). MAKE THE CONNECTION FIRST AND INSTALL THE CROSSBAR AFTER.
- D- PLACE THE CANOPY OVER THE CROSSBAR AND SECURE ASSEMBLY IN PLACE WITH (2) SCREWS.



INSTALLATION SHEET

General installation and maintenance directives concerning factory guarantee. Connecting and testing the lamps must always happen by an acknowledged electrician according to the locally applying regulations on electric installations. Do not place on a flammable surface.