

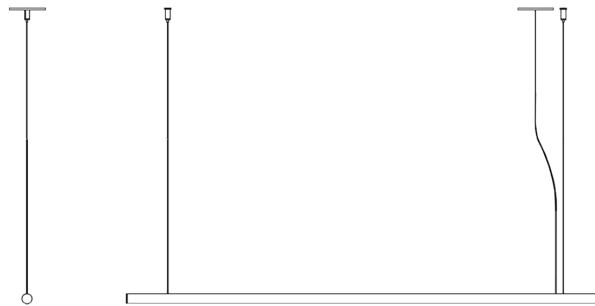
BOOMER LINE™

INSTALLATION SHEET

TYPE:

PROJECT NAME:

boomer line 1200/1800/2400



boomer line DOWN LIGHT

boomer line DOWN 1200 dim 2700K



white painted
black painted

T86H7DWLD
T86H7DZLD

boomer line DOWN 1200 dim 3000K



white painted
black painted

T86H8DWLD
T86H8DZLD

boomer line DOWN 1800 dim 2700K



white painted
black painted

T86H9DWLD
T86H9DZLD

boomer line DOWN 1800 dim 3000K



white painted
black painted

T86H10DWLD
T86H10DZLD

boomer line DOWN 2400 dim 2700K



white painted
black painted

T86H11DWLD
T86H11DZLD

boomer line DOWN 2400 dim 3000K



white painted
black painted

T86H12DWLD
T86H12DZLD

boomer line UP LIGHT

boomer line UP 1200 dim 2700K



white painted
black painted

T86H16DWLD
T86H16DZLD

boomer line UP 1200 dim 3000K



white painted
black painted

T86H17DWLD
T86H17DZLD

boomer line UP 1800 dim 2700K



white painted
black painted

T86H18DWLD
T86H18DZLD

boomer line UP 1800 dim 3000K



white painted
black painted

T86H19DWLD
T86H19DZLD

boomer line UP 2400 dim 2700K



white painted
black painted

T86H20DWLD
T86H20DZLD

boomer line UP 2400 dim 3000K



white painted
black painted

T86H21DWLD
T86H21DZLD



INSTALLATION SHEET

BOOMER LINE™

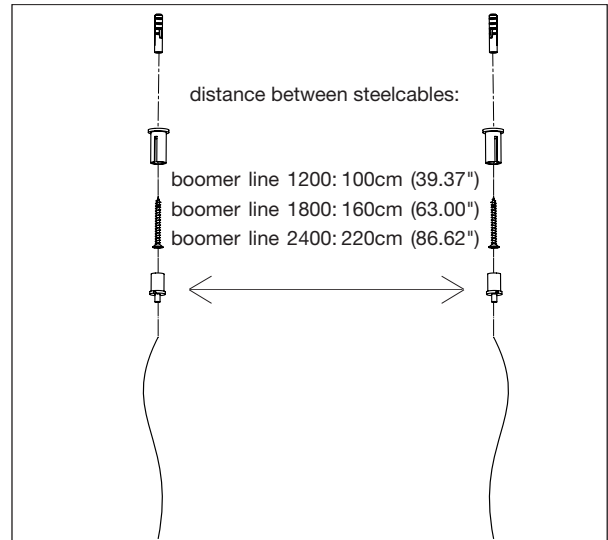
INSTALLATION SHEET

TYPE:

PROJECT NAME:

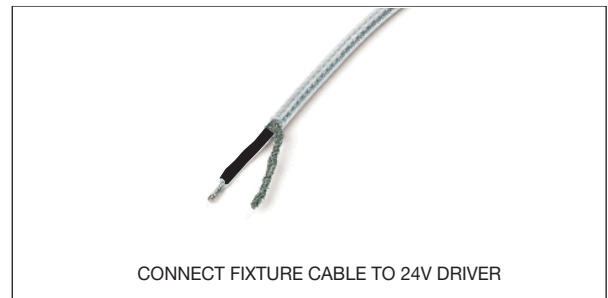
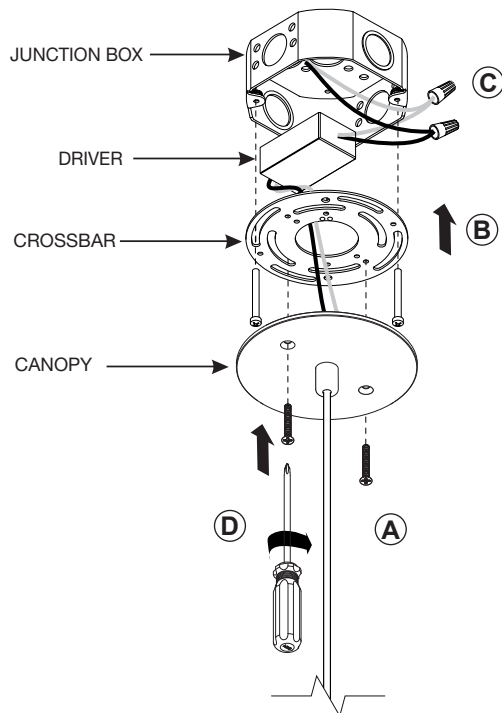
SUSPENDING THE BOOMER LINE

SUSPEND THE BOOMER LINE WITH THE TWO STEELCABLES. ADJUST AS REQUIRED.



WIRING AND CANOPY INSTALLATION

- A- ADJUST THE POWER CABLE LENGTH AND TIGHTEN THE POWER GRIP, TO LOCK POSITION. CUT THE CABLE SURPLUS.
- B- RAISE THE CROSSBAR AGAINST THE CEILING AND FASTEN TO THE JUNCTION BOX USING (2) MOUNTING SCREWS.
- C- MAKE ALL NECESSARY CONNECTIONS (**FOLLOWING WIRING DIAGRAM AND POLARITY MARKING**). MAKE THE CONNECTION FIRST AND INSTALL THE CROSSBAR AFTER.
- D- PLACE THE CANOPY OVER THE CROSSBAR AND SECURE ASSEMBLY IN PLACE WITH (2) SCREWS.



General installation and maintenance directives concerning factory guarantee. Connecting and testing the lamps must always happen by an acknowledged electrician according to the locally applying regulations on electric installations. Do not place on a flammable surface.

INSTALLATION SHEET

Luminart®

WWW.LUMINARTLIGHTING.COM
Last updated: 2/24/20