

DONCO™ 1.0

LED OUTDOOR RATED

TYPE:

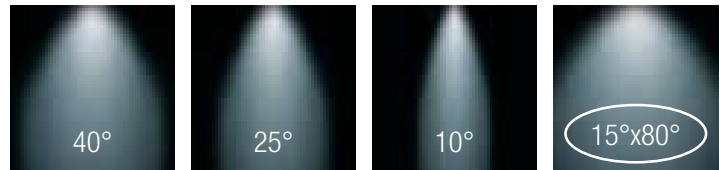
PROJECT NAME:

MODEL # WATT LED OPTICS FINISH VOLTAGE

DESCRIPTION:

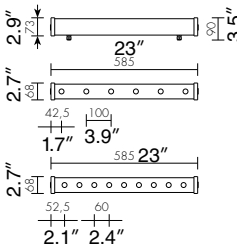
IP65-rated LED bar created for illuminating architectural features and building façades. A special feature of this luminaire for outdoor use, mounted on swivelling brackets, is the possibility of altering the LED interconnections to produce various light intensities. Illumination to a height of 15 metres is possible with a narrow beam. There are several standard models, and other designs can be created to meet customer requirements.

SPOT LIGHT

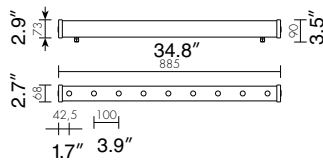


DONCO 1.0 Dimensions

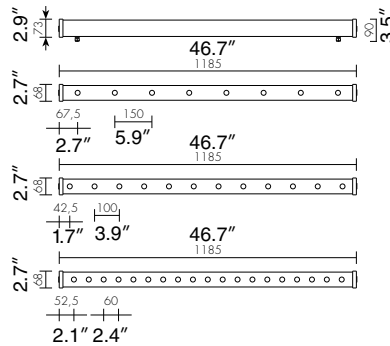
L5DU10 Dimensions



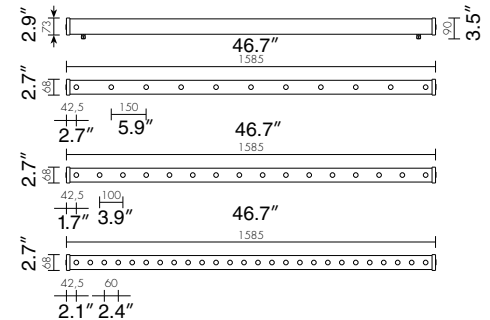
L5DU11 Dimensions



L5DU12 Dimensions



L5DU13 Dimensions



WATTAGE

- 6W 9W
- 12W 18W

WATTAGE

- 9W 18W

WATTAGE

- 8W 12W 19W
- 16W 24W 38W

WATTAGE

- 11W 16W 26W
- 22W 32W 52W

SPECIFICATION SHEET

DONCO™ 1.0

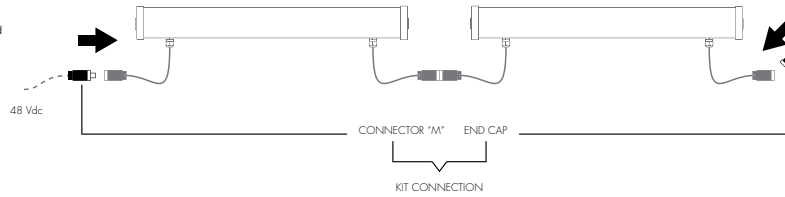
LED OUTDOOR RATED

TYPE:

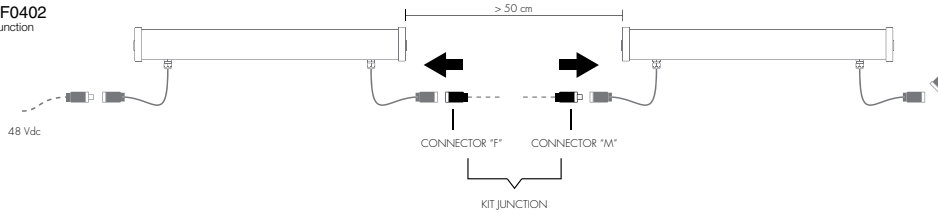
PROJECT NAME:



LWF0401
Kit connection - end



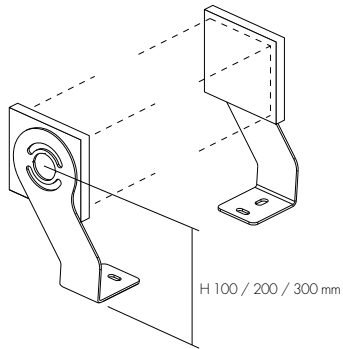
LWF0402
Kit Junction



LWF0701
Brackets h 100 mm

LWF0702
Brackets h 200 mm

LWF0703
Brackets h 300 mm



LED COLORS

0. 5000K WHITE 5. 3000K WHITE

FINISH

- A. ALUMINIUM

- VOLTAGE** 120V 220V 277V

OPTICS

- L. 40° M. 25°
 S. 10° W. WALL WASHER BEAM

DONCO™ 1.0

LED OUTDOOR RATED

