

FUSION™

INSTALLATION SHEET

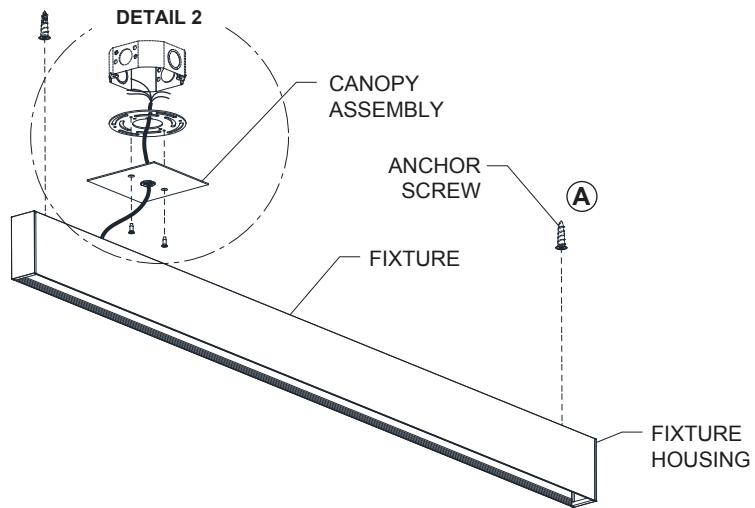
TYPE:

PROJECT NAME:

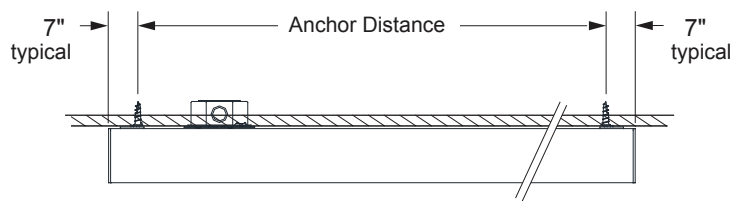
IMPORTANT - READ CAREFULLY BEFORE INSTALLING FIXTURE. RETAIN THESE INSTRUCTIONS FOR FUTURE REFERENCE. THIS PRODUCT MUST BE INSTALLED IN ACCORDANCE WITH THE NATIONAL ELECTRICAL CODE AND ALL APPLICABLE LOCAL CODES, BY A PERSON FAMILIAR WITH THE CONSTRUCTION AND OPERATION OF THE PRODUCT, AND THE HAZARDS INVOLVED. PROPER GROUNDING IS REQUIRED FOR SAFETY.

UNIT INSTALLATION

A - PLACE ANCHOR SCREWS IN THE CEILING AT THE REQUIRED DISTANCE.

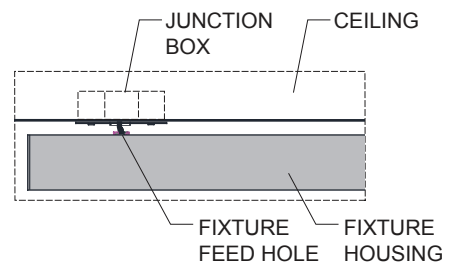


ANCHOR DISTANCE LAYOUT



SINGLE UNIT

Fixture feed hole must be installed in alignment with the junction box.



INSTALLATION SHEET

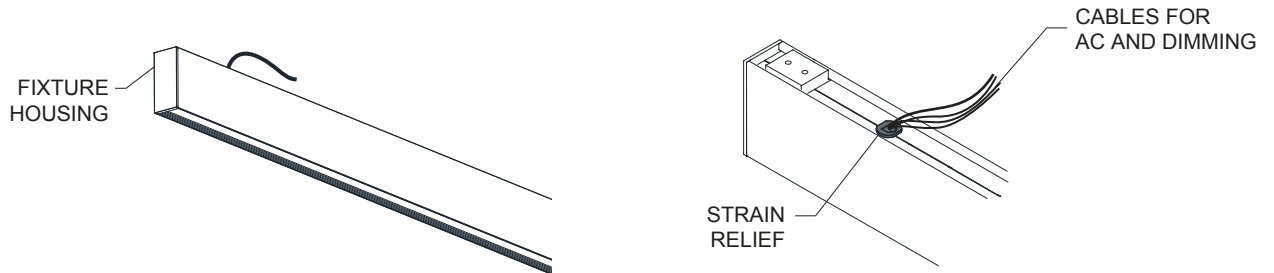
FUSION™

INSTALLATION SHEET

TYPE:

PROJECT NAME:

DETAIL 1 - FIXTURE HOUSING

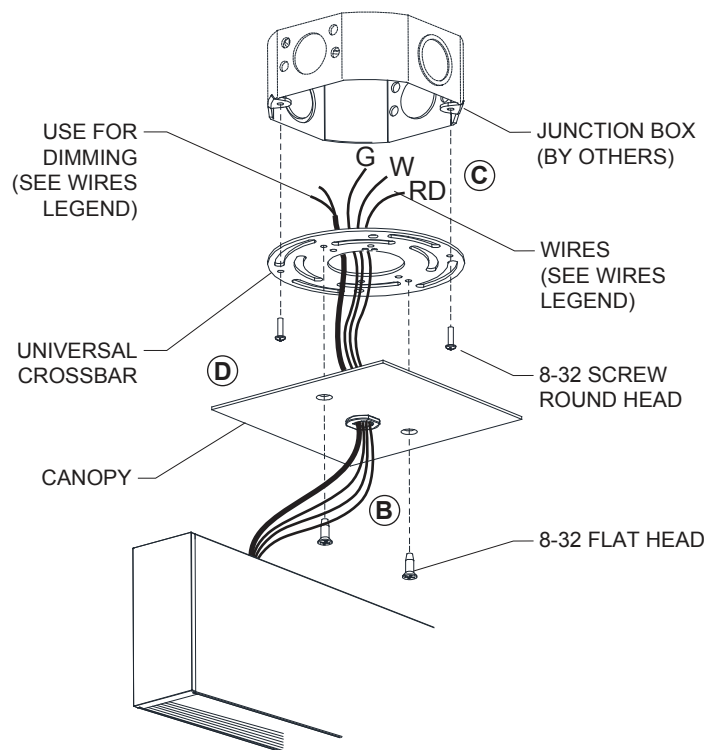


DETAIL 2 - CANOPY INSTALLATION AND ELECTRICAL

B - PASS CABLE THROUGH CANOPY.

C - MAKE NECESSARY ELECTRICAL CONNECTIONS. (REFER TO WIRES LEGEND). FOR DIMMING 0-10V.

D - INSTALL UNIVERSAL CROSSBAR USING 8-32 ROUND HEAD SCREWS AND THE CANOPY USING 8-32 FLAT HEAD.



INSTALLATION SHEET

TYPE:

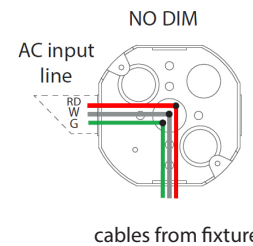
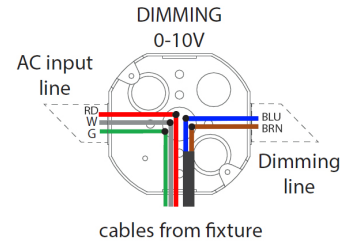
PROJECT NAME:

ELECTRICAL CONNECTIONS

WIRES LEGEND	
COLOR	DESTINATION
Green (G)	Ground
White (W)	Neutral
Red (RD)	Live
Blue (BLU)	DIM+
Brown (BRN)	DIM-

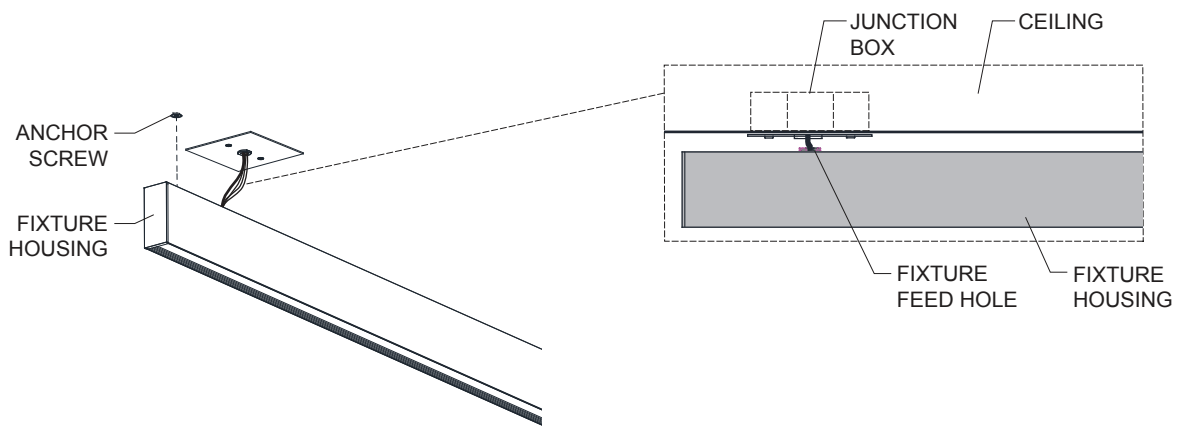
Use for Dimming
0-10V (D10)

WIRING DIAGRAM



DETAIL 3 - FIXTURE HOUSING INSTALLATION

E - INSTALL THE FIXTURE HOUSING ON ANCHOR SCREW USING MOUNTING SCREWS AND LOCK WASHERS.



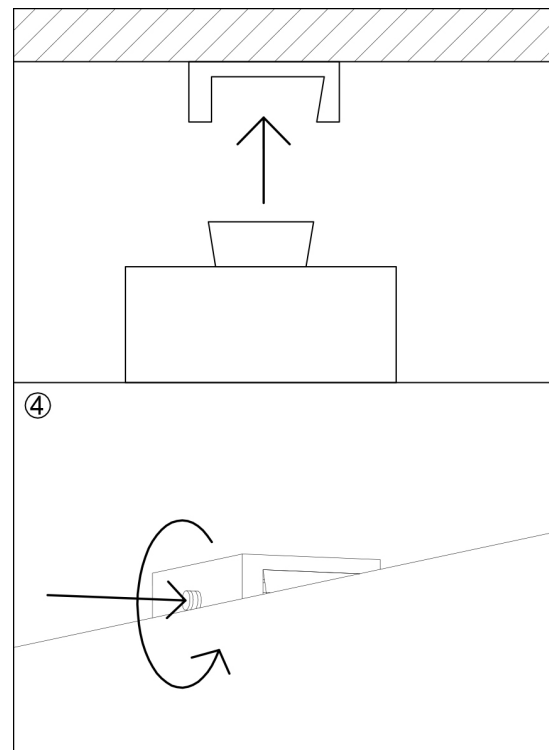
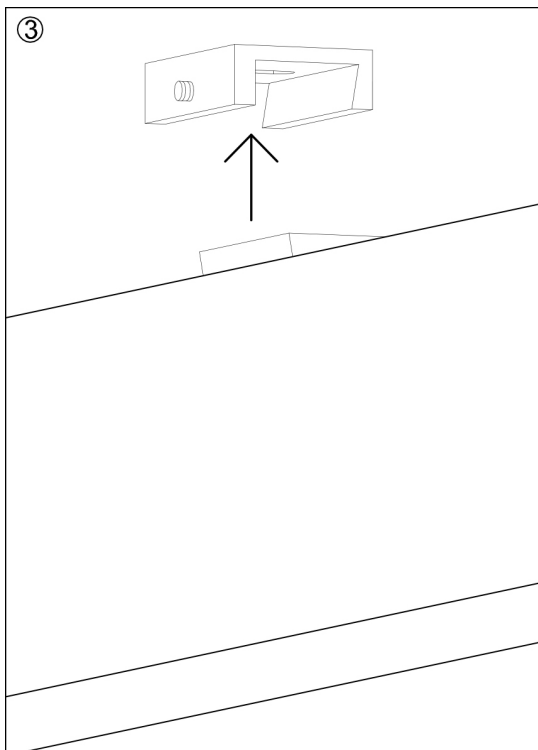
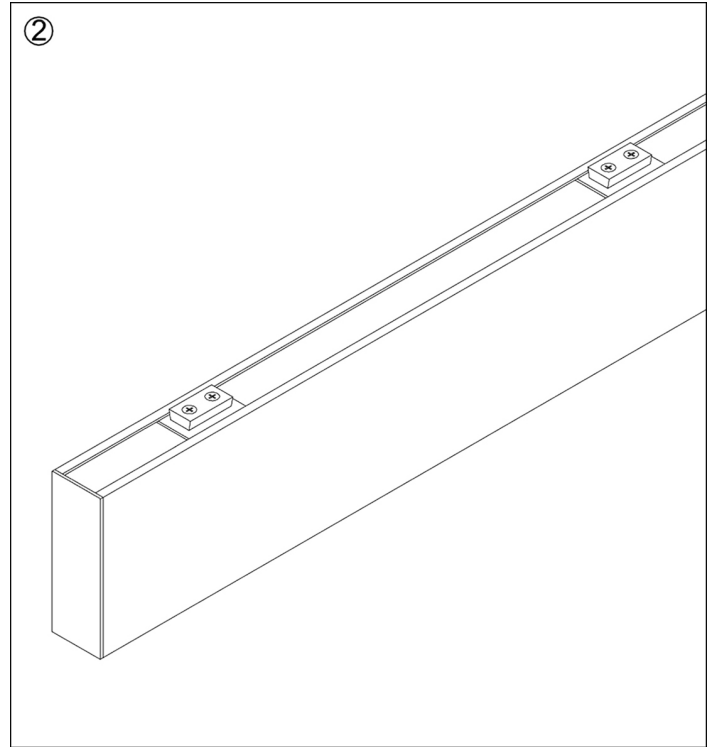
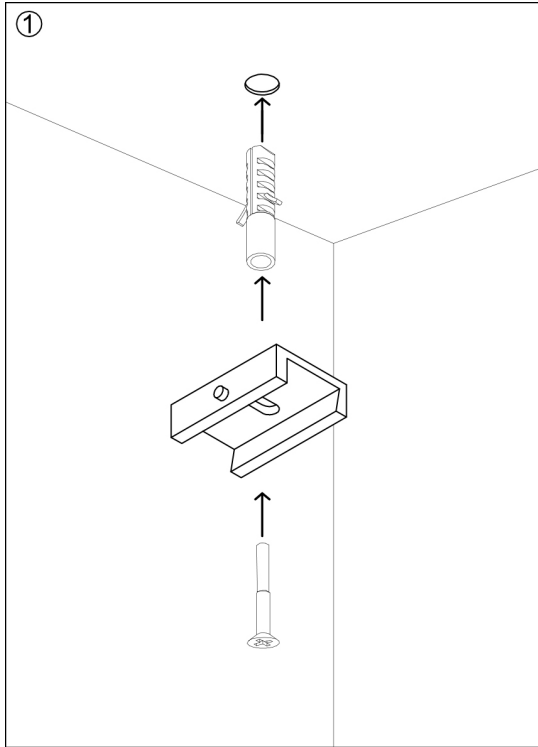
INSTALLATION SHEET

FUSION™

INSTALLATION SHEET

TYPE:

PROJECT NAME:



INSTALLATION SHEET