

GULM™ SPOT

LED

TYPE:

PROJECT NAME:

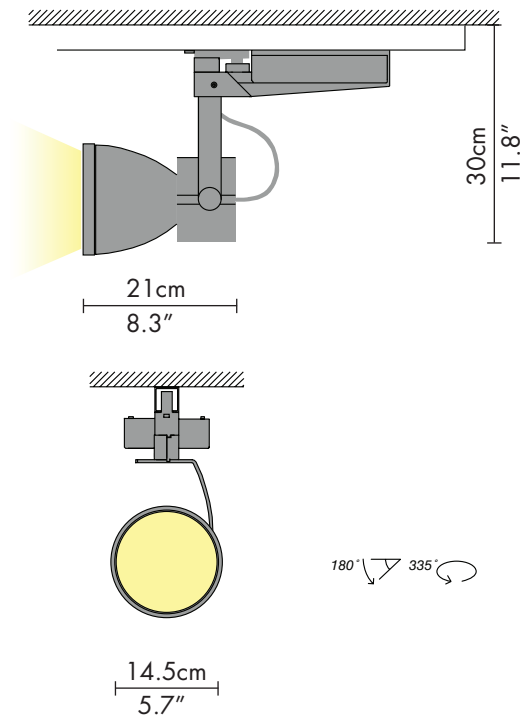


L.257452D	26				
MODEL #	WATT	LED	OPTICS	FINISH	VOLTAGE

DESCRIPTION:


Spotlight with UV-stabilized, epoxy-powder coated extruded aluminium body, and metal coated prisms reflector. Gulm comes with 26W LED spots with 1950lm (3000K) and 2200lm (4000K) luminous flux. LED screen in microprismatic polycarbonate. Great attention was paid to the LED spots connection technique. Thanks to the new connectors, spots are not fixed to the LED. They are screwed to the PBT base, thus granting higher mechanical stability, safer electric contact and protected diodes. The LED spots' electric connection is worth mentioning too. They are in fact not sealed to the entrance, but they are equipped with snap-in terminals that can be interchanged.

GULM SPOT Dimensions



Model Number	Watt
<input type="radio"/> L.257452D	26

LED COLORS

<input type="radio"/> 	5. 3000K WHITE
<input type="radio"/> 	0. 4000K WHITE

OPTICS

<input type="radio"/> 10°	<input type="radio"/> 50°
---------------------------	---------------------------

FINISH

<input type="radio"/> 	MW. MATT WHITE
<input type="radio"/> 	02. BLACK

VOLTAGE

<input type="radio"/> 120V	<input type="radio"/> 220V
----------------------------	----------------------------

SPECIFICATION SHEET

LEDOLOGY®

A **Luminart®** BRAND

WWW.LUMINARTLIGHTING.COM

GULM™ SPOT

LED



LEDOLOGY

A **Luminart** BRAND

WWW.LUMINARTLIGHTING.COM