

MINI™ SPOT

1 X 3W - 350mA LED

TYPE:

PROJECT NAME:



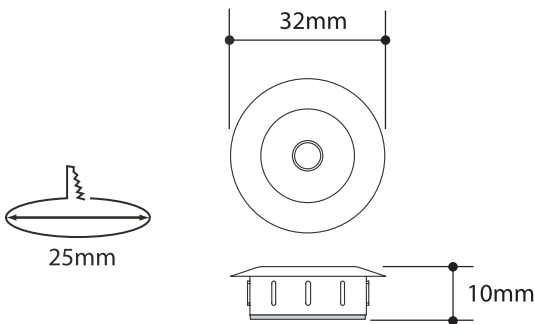
MINI SPOT

LED SPOT - 1 x 3W - 350mA

Recessed downlight for direct or accent lighting.

Designed for indoor use only.

Material: Thermoplastic structure



Colour	Degree	Finish	Code
white 6000K	30°	chrome	L.441.31
white 3500K	30°	chrome	L.441.32
blue	30°	chrome	L.441.33
red	30°	chrome	L.441.34
green	30°	chrome	L.441.35
white 6000K	60°	chrome	L.441.36
white 3500K	60°	chrome	L.441.37
blue	60°	chrome	L.441.38
red	60°	chrome	L.441.39
green	60°	chrome	L.441.40
white 6000K	100°	chrome	L.441.41
white 3500K	100°	chrome	L.441.42
blue	100°	chrome	L.441.43
red	100°	chrome	L.441.44
green	100°	chrome	L.441.45

SPECIFICATION SHEET



L.4400

Electronic power supply 3W, 350 mA
 In: 120V AC
 Out: 4V-12V DC @ 350 mA
 Dimension: 1-5/8" x 1-5/8" x 7/8"
Maximum 3 luminaires wired in series



L.4401

Electronic power supply 12W, 350 mA
 In: 120V AC
 Out: 2.6V-32.6V DC @ 350 mA
 Dimension: 5-3/16" x 1-3/8" x 7/8"
Maximum 8 luminaires wired in series

Contact factory for more powerfull

INSTALLATION NOTE:

MUST BE WIRED IN SERIES WHEN TWO OR MORE ARE WIRED TOGETHER WITH SAME DRIVER.

LEDOLOGY®

A **Luminart®** BRAND

WWW.LUMINARTLIGHTING.COM