

POP™ P12 K Ø03

TYPE:

Recessed

PROJECT NAME:



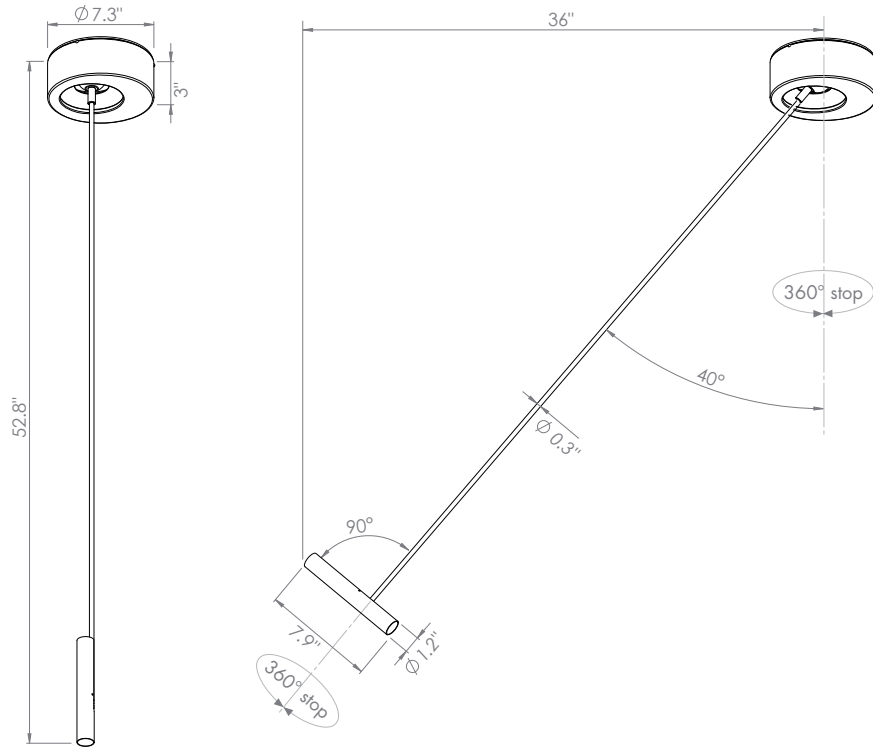
SPECIFICATION SHEET

POP™ P12 K Ø03

TYPE:

Recessed

PROJECT NAME:



Code	©	K°	lm	Watt	lm/W	CRI	▲	IP
L17P12K.22M.XX	350m/A led	2700	1650	13,4	123	85	35°	20
L17P12K.23M.XX	350m/A led	3000	1727	13,4	129	85	35°	20
L17P12K.24M.XX	350m/A led	4000	1786	13,4	133	85	35°	20

