

# POP™ P12 L Ø03

Recessed

TYPE:

PROJECT NAME:

---



*Completely recessed lamp for plasterboard. Structure in aluminum, composed of a cylinder with Ø 30mm linked to an arm of Ø 8mm, is available in two lengths: 270mm and 1250mm. Both versions have an adjustable bulb, laterally at rotatable to 360°.*

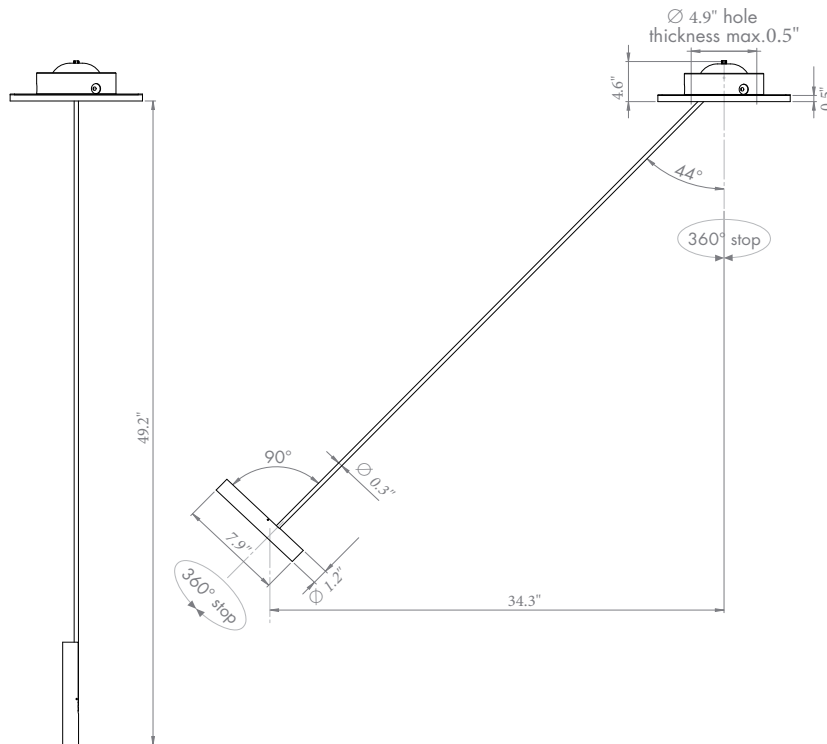
# POP™ P12 L Ø03

TYPE:

Recessed

PROJECT NAME:

Code	©	K°	lm	Watt	lm/W	CRI	▲	IP
L17P12L.22M.XX	350m/A led	2700	1650	13,4	123	85	35°	20
L17P12L.23M.XX	350m/A led	3000	1727	13,4	129	85	35°	20
L17P12L.24M.XX	350m/A led	4000	1786	13,4	133	85	35°	20



Code	©				
KIT.350.1L	120V	ON/OFF		converter 350m/A	min. 1 max 1
KIT.350.25	120V	ON/OFF		converter 350m/A	min. 2 max 2
KIT.351.40	120V	DALI - PUSH - 1...10V		converter 350m/A	min. 1 max 3
KIT.352.15	120V	DALI		converter 350m/A	min. 1 max 1
KIT.353.15	120V	PUSH - 1...10V		converter 350m/A	min. 1 max 1



SPECIFICATION SHEET

# POP™ P12 L Ø03

TYPE:

Recessed

PROJECT NAME:

- 1) Once pointed the position of the lamp, make the hole for the housing.
- 2) Place the housing on the side of the plasterboard plate that will remain invisible after the work is done.
- 3 - 4) Put some metal profiles to fix and reinforce the area of the housing.
- 5) Fix with screws, the housing to the plasterboard and to the reinforcement profiles.
- 6 - 7) Complete the false ceiling, plaster and trim.
- 8) Keep clean the inside of the housing.

Code: W00.125.01  
Cassaforma per cartongesso  
Housing for plasterboard  
Gehäuse für Gipskarton  
Boîte à encastré pour cloison en placoplatre  
Cajetín para falso techo

