

POWER STRIP™ THREE

LED

TYPE:

PROJECT NAME:

PST - 3	POWER	LED	LED COLOUR	LENGTH	FINISH	DRIVER	VOLTAGE
PST - 3	<input type="radio"/> 1W <input type="radio"/> 2W <input type="radio"/> 3W	<input type="radio"/> Warm White(3500K) <input type="radio"/> Natural White(4100K) <input type="radio"/> Cool White(5000K) <input type="radio"/> Blue(special order) <input type="radio"/> Green(special order) <input type="radio"/> Red(special order)	Lengths are custom cut to your specification needs: up to a maximum of 8 feet(96"). *If longer lengths are required, multiple units are joint together*	<input type="radio"/> Anodized Aluminum (matte) (standard) <hr/> <input type="radio"/> Custom <input type="radio"/> Black Anodized(matte) <input type="radio"/> Gold Anodized(matte) <input type="radio"/> Blue Anodized(matte) <input type="radio"/> Red Anodized(matte) <input type="radio"/> Chrome	<input type="radio"/> Non- Dimmable (ND) <input type="radio"/> Dimmable (D)	<input type="radio"/> 120V <input type="radio"/> 220V	



DESCRIPTION:

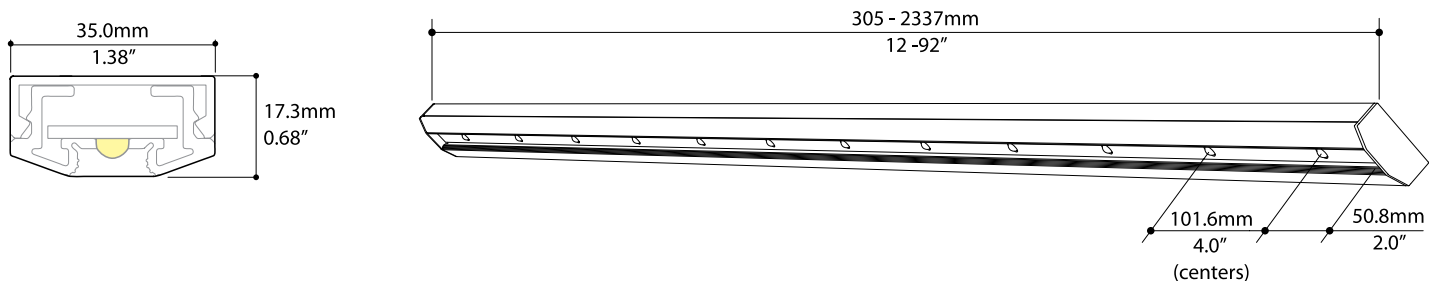
Power Strip utilizes state of the art LED technology to provide a maintenance free lighting solution with the benefits of energy efficiency and reliability. The slim anodized aluminum housing is designed for simple installation and application versatility. It's clean industrial design and pristine finish complements any commercial, residential and museum environment. Cool beam, safe to the touch. No UV light emitted.

The Power Strip LED Series offers a variety of extrusion profiles for applications that may require specific features. All Power Strip LED products can be supplied in custom lengths.

There are three options for white LEDs: Warm white (3500K), Natural white (4100K) and Cool white (5000K). For special effects lighting, the Power Strip LED can be special ordered with coloured LEDs available in blue, green and red.

The Power Strip Three has been designed with corrugated side baffles which reduce direct view of the LEDs, the corrugations diffuse the effect of the hot spot.

SPECIFICATION SHEET



LEDOLOGY®

A **Luminart** BRAND

WWW.LUMINARTLIGHTING.COM

POWER STRIP™

APPLICATIONS

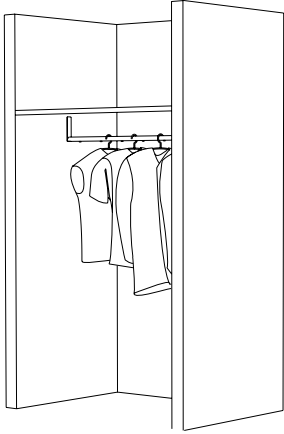
TYPE:

PROJECT NAME:

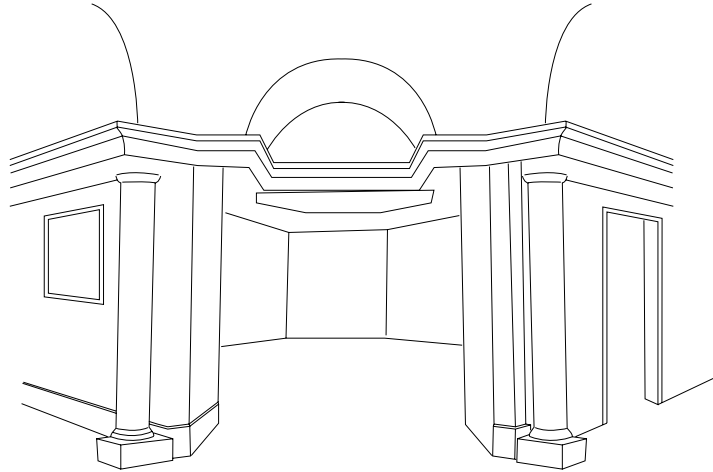
The Power Strip Series was design for commercial and residential spaces, hotels, restaurants, showrooms, window display and boutiques.

APPLICATIONS:

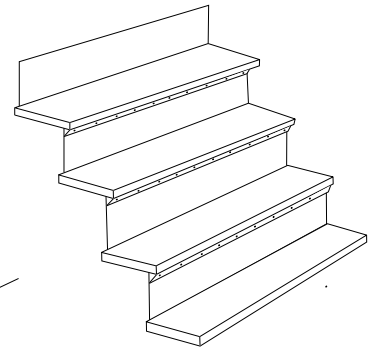
-Cove Lighting, Elevators, Clothing display, Cabinets, Jewelry and make-up counters.



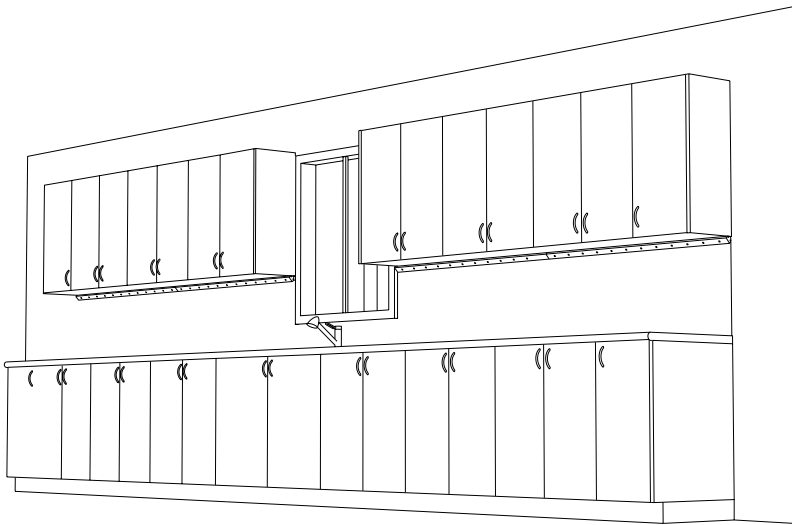
ILLUMINATE CLOTHES RACK



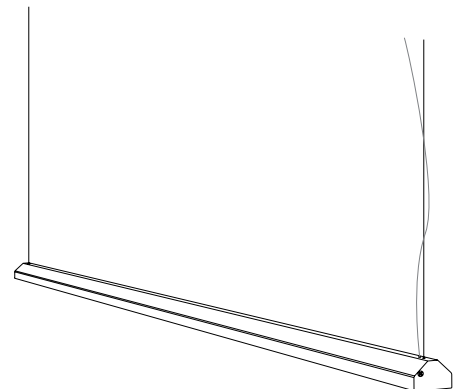
COVE LIGHTING



STAIR LIGHTING



UNDER CABINET AND DISPLAY LIGHTING



POWER STRIP SUSPENSION

SPECIFICATION SHEET

LEDOLOGY®

A **Luminart** BRAND

WWW.LUMINARTLIGHTING.COM