

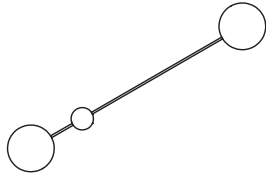
# ROUND CONTROL™

INSTALLATION SHEET

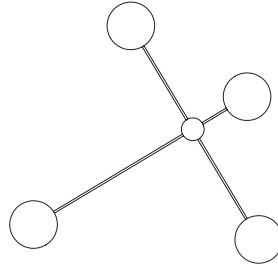
TYPE:

PROJECT NAME:

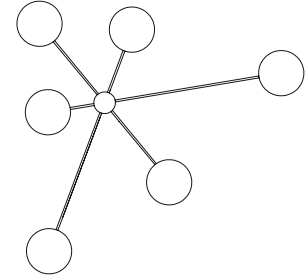
## round control 2



## round control 4



## round control 6



### round control arm 1

LED	2700K	350mA	13W			
-----	-------	-------	-----	--	--	--

black painted  
white painted

**T100P1DZL**  
**T100P1DWL**

### round control arm 2

LED	2700K	350mA	13W			
-----	-------	-------	-----	--	--	--

black painted  
white painted

**T100P2DZL**  
**T100P2DWL**

### round control 2 base

	120V			
--	------	--	--	--

black painted  
white painted

**T100H1DZL**  
**T100H1DWL**

### round control arm 3

LED	2700K	350mA	13W			
-----	-------	-------	-----	--	--	--

black painted  
white painted

**T100P3DZL**  
**T100P3DWL**

### round control 4 base

	120V			
--	------	--	--	--

black painted  
white painted

**T100H2DZL**  
**T100H2DWL**

### round control arm 4

LED	2700K	350mA	13W			
-----	-------	-------	-----	--	--	--

black painted  
white painted

**T100P4DZL**  
**T100P4DWL**

### round control 6 base

	120V			
--	------	--	--	--

black painted  
white painted

**T100H3DZL**  
**T100H3DWL**

### round control arm 5

LED	2700K	350mA	13W			
-----	-------	-------	-----	--	--	--

black painted  
white painted

**T100P5DZL**  
**T100P5DWL**

INSTALLATION SHEET

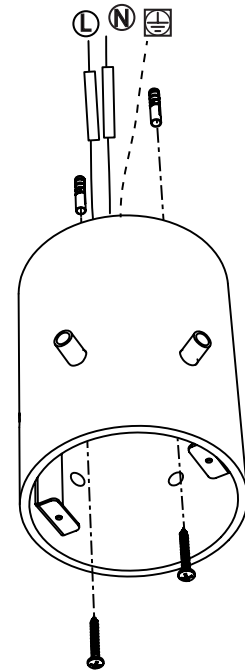
# ROUND CONTROL™

INSTALLATION SHEET

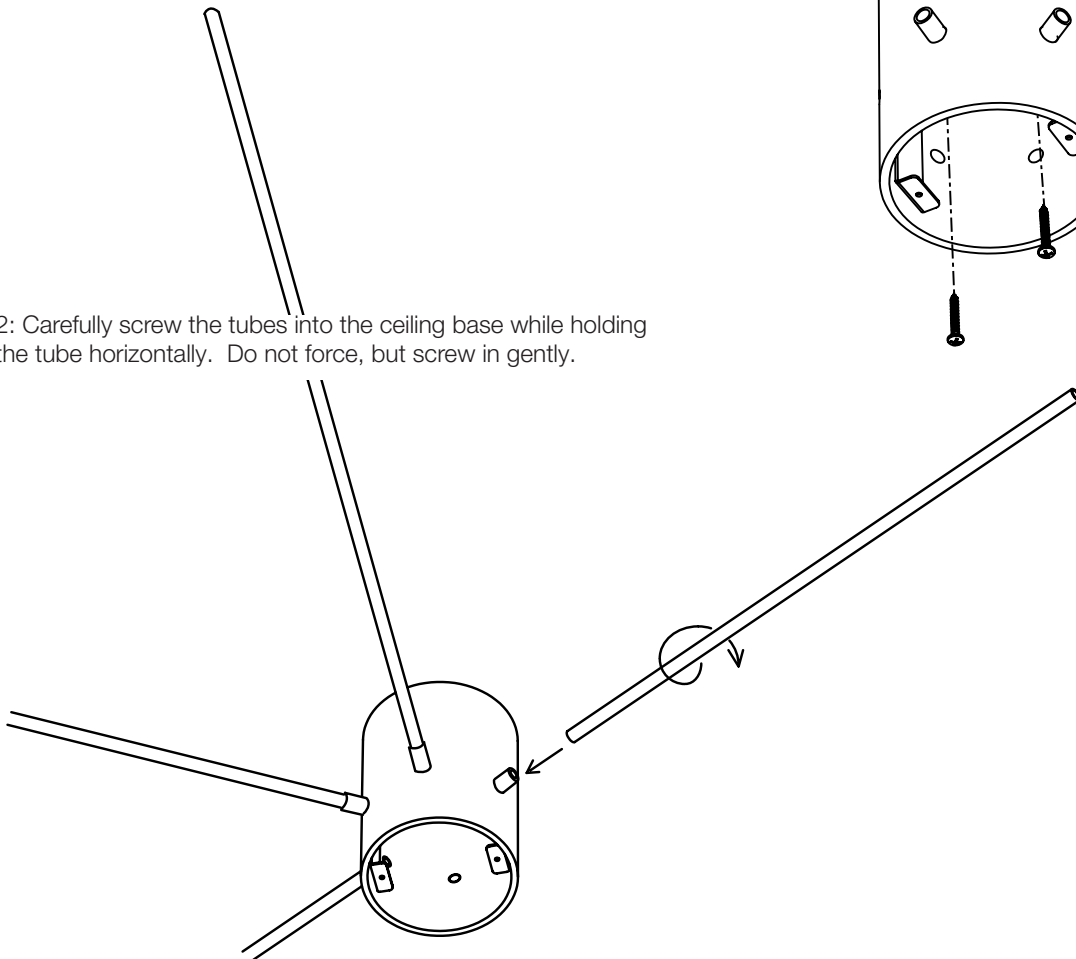
TYPE:

PROJECT NAME:

1 : attach the ceiling base.



2: Carefully screw the tubes into the ceiling base while holding the tube horizontally. Do not force, but screw in gently.



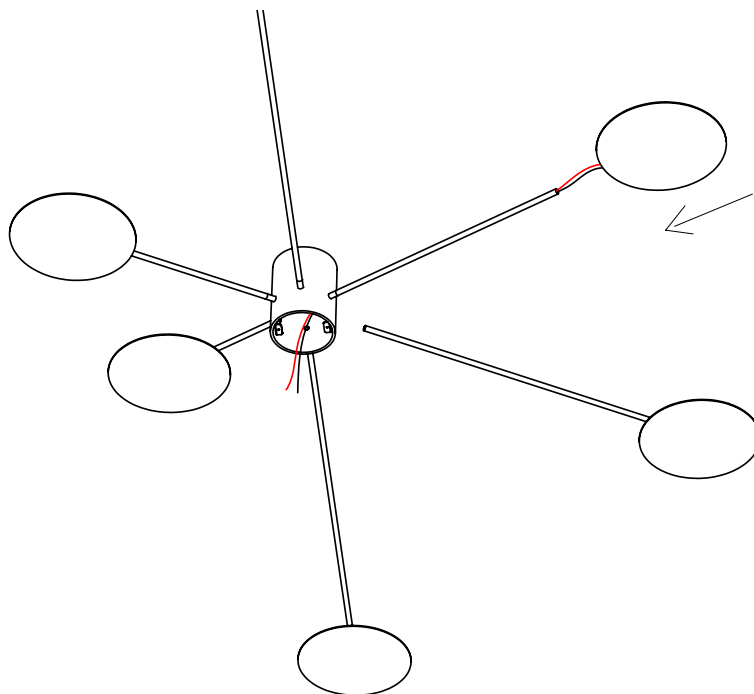
INSTALLATION SHEET

# ROUND CONTROL™

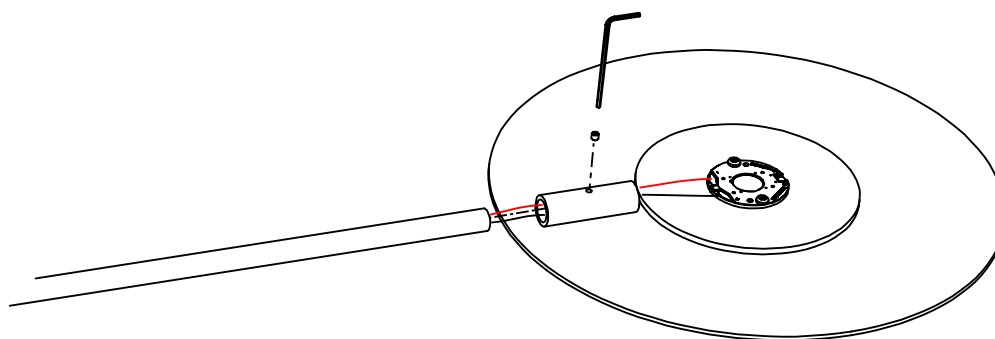
## INSTALLATION SHEET

TYPE:

PROJECT NAME:



3: Fit the wires through the tubes and into the ceiling base.



4: attach the disc to the tube and fix with the hex screw.

INSTALLATION SHEET

**General installation and maintenance directives concerning factory guarantee.** Connecting and testing the lamps must always happen by an acknowledged electrician according to the locally applying regulations on electric installations. Do not place on a flammable surface. All class I lamps must be earthed in the cable clamp marked with a Ⓢ-sign. Class II lamps may not be earthed. Disconnect from the main supply when fitting lamp or changing bulb. This lamp satisfies to the low tension directive 73/23/EEG with modification 93/68/EEG and the EMC directive 89/336/EEG with modifications 92/31/EEG and 93/68/EEG.

**Luminart®**

WWW.LUMINARTLIGHTING.COM  
Last updated: 2/5/20

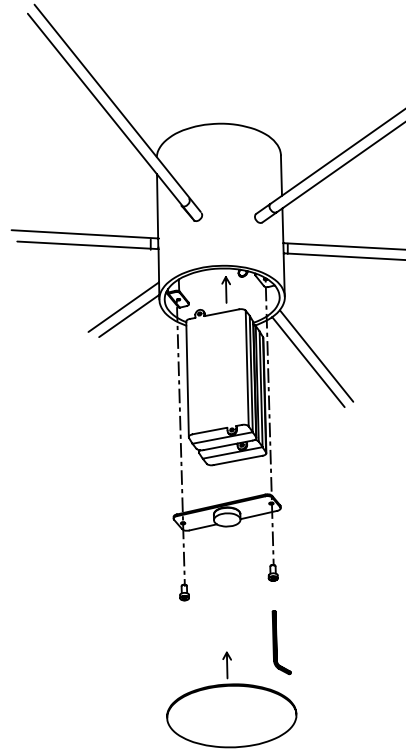
# ROUND CONTROL™

## INSTALLATION SHEET

TYPE:

PROJECT NAME:

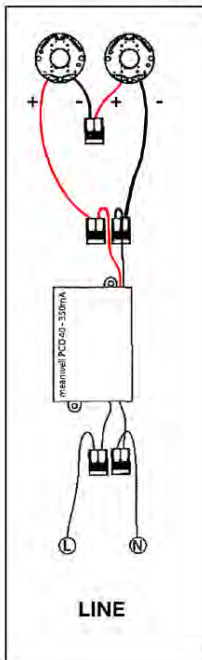
- 5: make the electrical connection. (see electrical scheme below)
- 6: fit the drivers inside the box and fix the bracket with the magnet.
- 7: place the cover plate.



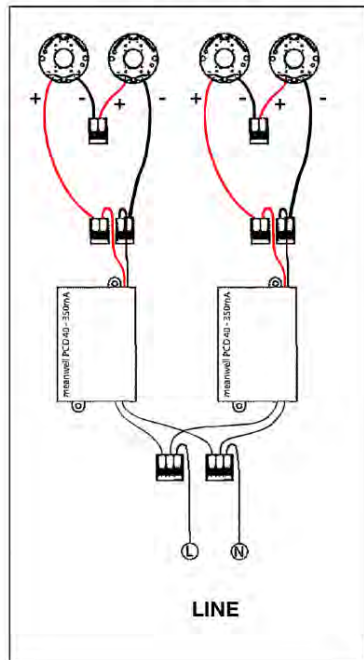
### ELECTRICAL CONNECTION: SERIAL

**MUST BE WIRED IN SERIES  
TWO LIGHTS PER DRIVER**

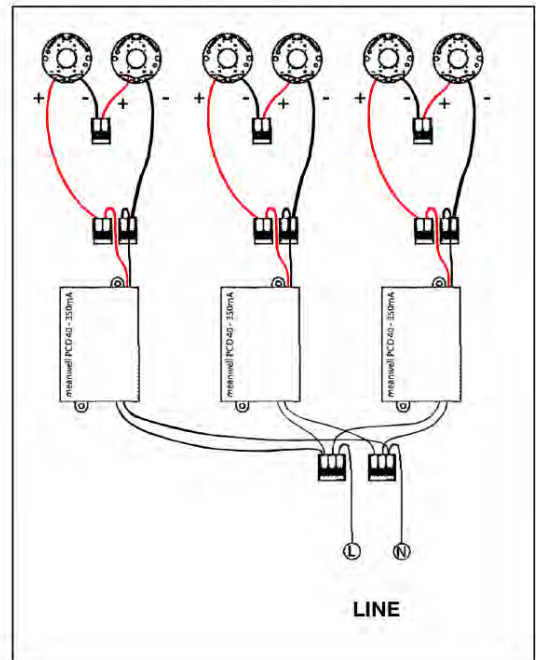
ROUND CONTROL 2



ROUND CONTROL 4



ROUND CONTROL 6



INSTALLATION SHEET