

SPOTT™ 2.0

LED SUBMERSIBLE

TYPE:

PROJECT NAME:



L5PW20	-	-	-	-	I	-
MODEL #	WATT	LED	OPTICS	FINISH	VOLTAGE	

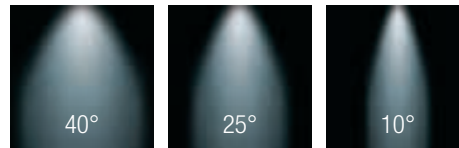
DESCRIPTION:

Adjustable spotlight constructed entirely in aisi 316L stainless steel. may be installed to a depth of up to 3m. provided with 5 m. of neoprene wiring. A more technical version with 3 LEDs with RGB is also available. The mounting bracket is adjustable and allows for a wide rotation. suitable for corrosive environments.

INSTALLATION NOTE:

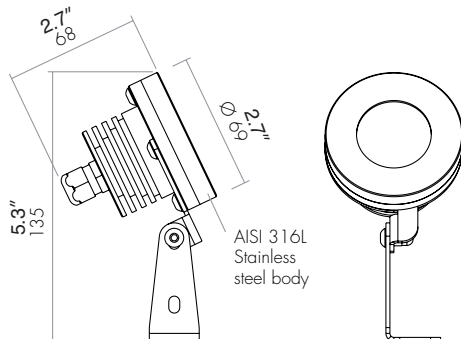
Must be wired in series when two or more are wired together with same driver.

SPOT LIGHT



SPOTT 2.0 Dimensions

L5PW20



LED COLORS

- 0. 5000K WHITE
- 1. BLUE
- 5. 3000K WHITE
- 6. RGB

FINISH

- I. INOX

WATTAGE 3W 6W

VOLTAGE 120V 220V 277V

OPTICS

- L. 40°
- M. 25°
- S. 10°

SPECIFICATION SHEET

LEDOLOGY®

A **Luminart** BRAND

WWW.LUMINARTLIGHTING.COM

SPOTT™ 2.0

LED SUBMERSIBLE



LEDOLOGY®

A **Luminart** BRAND

WWW.LUMINARTLIGHTING.COM