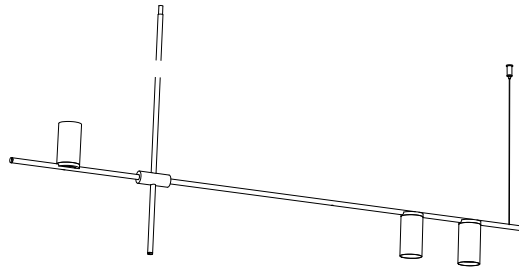


TYPE:

PROJECT NAME:

## tribes 1 & tribes 2

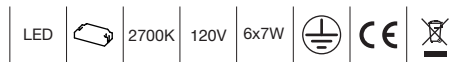


### tribes 1



black painted  
white painted  
black painted/24K gold  
white painted/24K gold

### tribes 2



black painted  
white painted  
black painted/24K gold  
white painted/24K gold

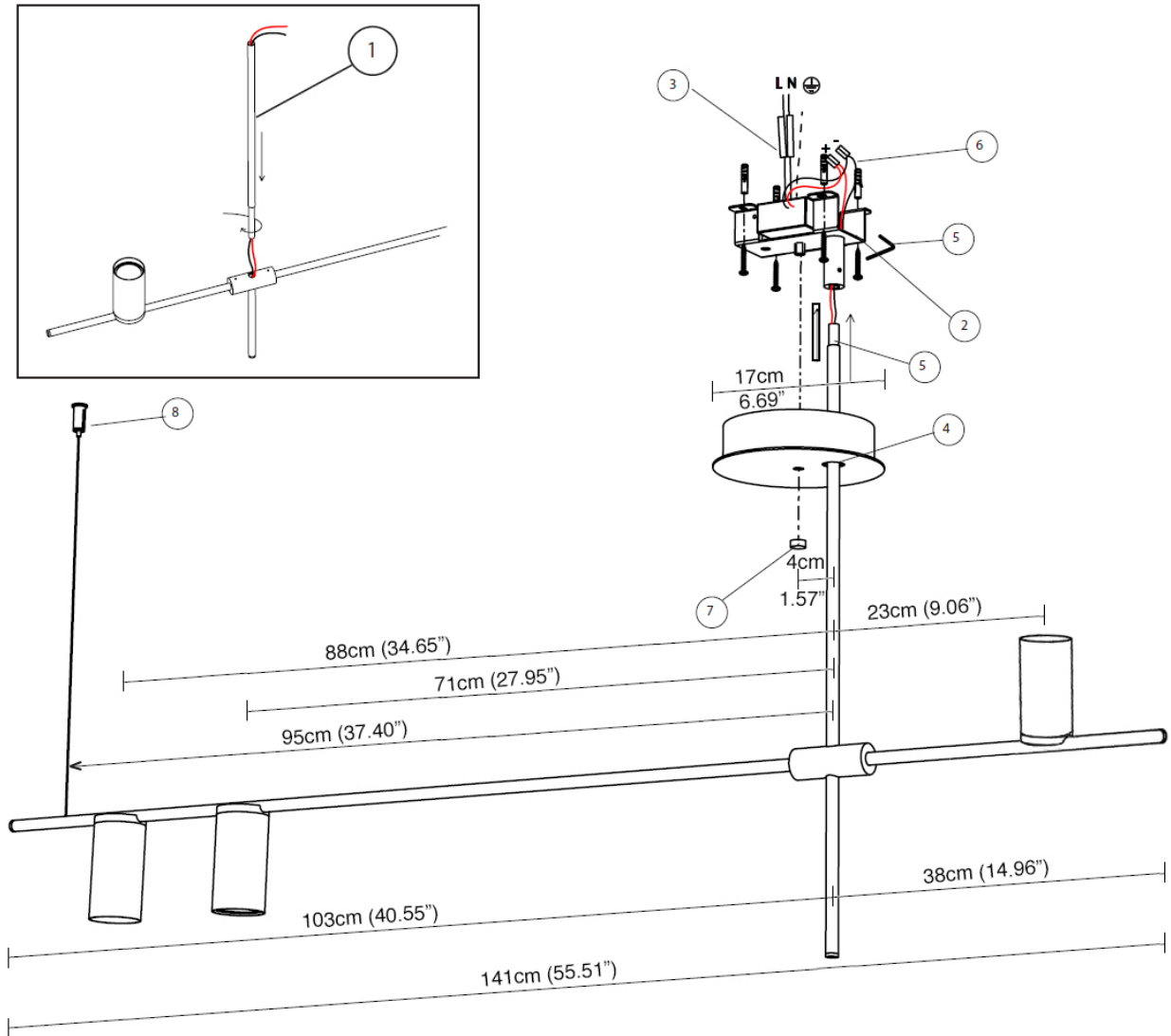


# TRIBES™ 1,2

## INSTALLATION SHEET

TYPE:

PROJECT NAME:



We advise not to unwrap the tribes completely during the installation to prevent scratches.

- 1: fix the tube on the cilinder and tighten firmly. Be carefull not to damage the wires.
- 2: fix the bracket on the ceiling with the supplied screws.
- 3: connect drivers to the AC mains voltage.
- 4: fit tribes through the ceiling canopy. **IMPORTANT:** start with the shortest tribes!
- 5: fit the wires and the threaded end trough the tube on the bracket and fix with the hex key.
- 6: connect the wires to the driver.
- 7: fix the ceiling canopy with the provided screw button.
- 8: Attach the steelcable to the ceiling. The distance is 95cm from the center of the vertical tube. Adjust the steelcable until the tribes are horizontal.

General installation and maintenance directives concerning factory guarantee. Connecting and testing the lamps must always happen by an acknowledged electrician according to the locally applying regulations on electric installations. Do not place on a flammable surface. All class I lamps must be earthed in the cable clamp marked with a Ⓧ-sign. Class II lamps may not be earthed. Disconnect from the main supply when fitting lamp or changing bulb. This lamp satisfies to the low tension directive 73/23/EEG with modification 93/68/EEG and the EMC directive 89/336/EEG with modifications 92/31/EEG and 93/68/EEG.

INSTALLATION SHEET