

### **INSTRUCTION**

- Unscrew the cable grip (A) and lower the canopy (B).( Fig. 1).
- Fix the bracket (C) with screw (D) and dowels (E) on the ceiling.( Fig. 1).
- Adjust the length of the cable securing the clamp (F).( Fig. 1).
- Connect the wires (G) according to polarity.( Fig. 1).
- Place the canopy in the ceiling. Screw with care the particular (A).( Fig. 1).
- Screw the safety screw (K) (Fig.2).
- Screw the light bulb in the lamp socket.

### **ATTENTION**

The products of our production are suitable for the using in usual surroundings with standard temperature and humidity levels.  
All the operation have to be done by an electrician.

### **CLEANING**

#### **Disconnect power or pull the plug out.**

For the periodical cleaning of the lamps use always gloves and a soft cloth (for glossy surfaces). Don't use aggressive solvents or alcohol.

# ABC™ COMPOSITION

## INSTALLATION INSTRUCTIONS

TYPE:

PROJECT NAME:

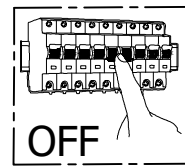
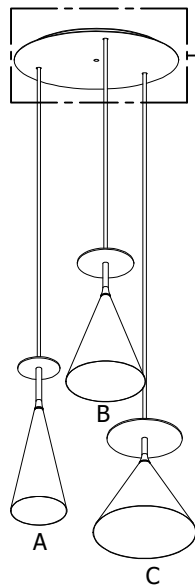
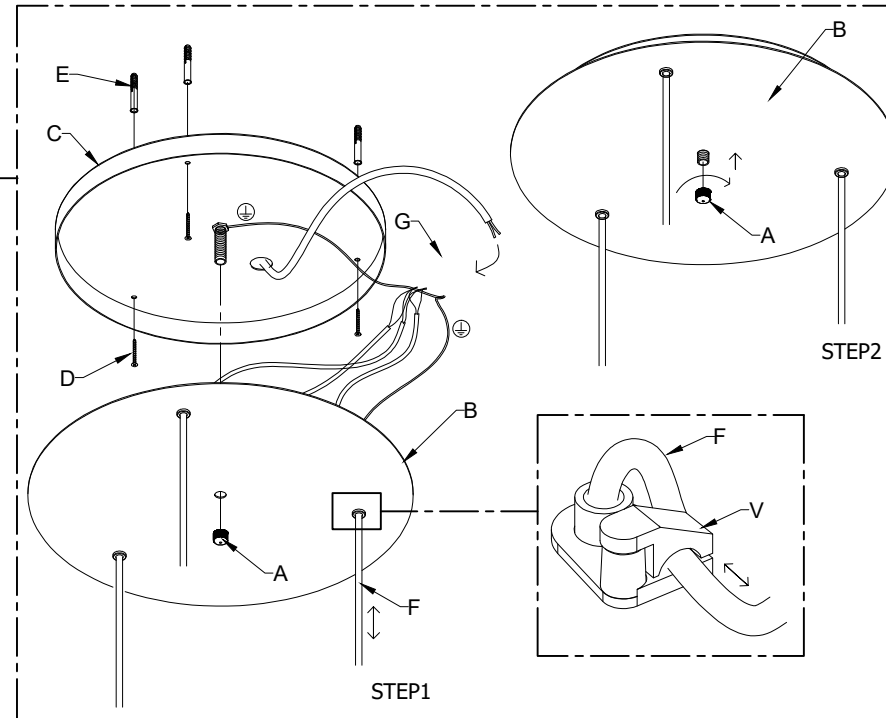


Fig. 1



### INSTRUCTION

- Switch off the power or pull the plug out. (Fig.1)
- Unscrew the cable grip (A) and lower the canopy (B).
- Fix the canopy (C) with screw (D) and dowels (E) on the ceiling.
- Adjust the length of the cable (F), adjusting the clamp (V).
- Connect the wires (G) according to polarity.
- Place the canopy in the ceiling. Tighten the cable grip (A)
- Insert the light bulb in the lamp socket.

### ATTENTION

The products of our production are suitable for the using in usual surroundings with standard temperature and humidity levels.  
All the operation have to be done by an electrician.

### CLEANING

#### **Disconnect power or pull the plug out.**

For the periodical cleaning of the lamps use always gloves and a soft cloth (for glossy surfaces).  
Don't use aggressive solvents or alcohol.