

# ANGELICA™

OUTDOOR WALL

TYPE:

PROJECT NAME:

## Finish

Structure



White



Black

Lampshade



Washable

Fabric lampshade,  
metal structure

Metal parts  
protected with  
electrolytic  
galvanizing  
treatment and  
resistant polyester  
coating

IP44/55



Detail



Detail

SPECIFICATION SHEET

\* on demand

**Luminart®**

WWW.LUMINARTLIGHTING.COM

# ANGELICA™

OUTDOOR WALL

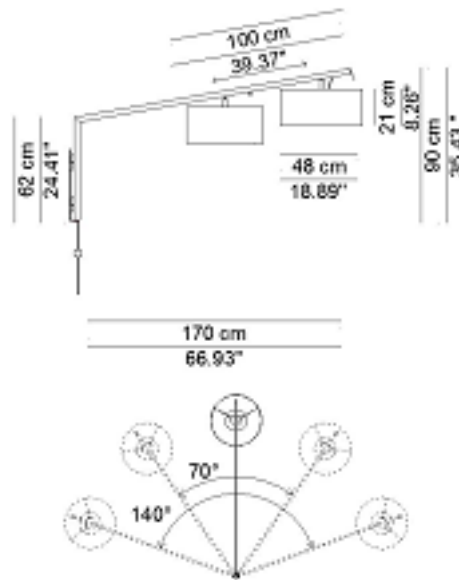
TYPE:

PROJECT NAME:

Wall lamp - L 170

lamp type 1xE26  
max watt 15W LED

L82AGOEAP170T01



## ORDERING INFO

Model (Order Code)

Structure Finish

Lampshade Finish

Power Options

- 120V Hardwired with Phase Dimming
- 120V Plug-in version



SPECIFICATION SHEET

# ANGELICA™

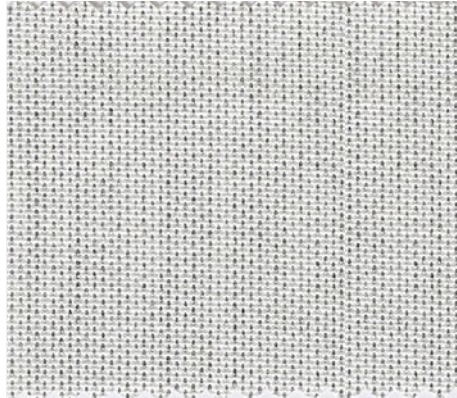
OUTDOOR WALL

TYPE:

PROJECT NAME:



**WASHABLE**  
Indoor/outdoor  
100% Sunbrella® acrylic



Code 618

Marble

Code 617

Moleskin



Code 619

Sage



Code 620

Autumn



Code 616

Natural

Code 621

Amber



Code 613

Flanelle



SPECIFICATION SHEET