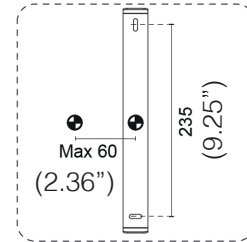
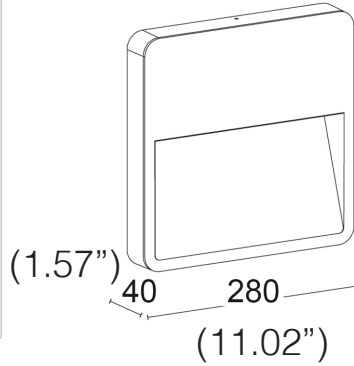


ANTARES™ SQUARE

WALL

TYPE:

PROJECT NAME:



PHOTOMETRICAL DATA



FIXTURE SPECIFICATIONS

ASSEMBLY / USAGE

Wall installation

PROTECTION

IP 66 - IK 09

BODY

Die-cast aluminum

SCREEN

Extra-clear float glass 4mm (0.15") with white diffusing silk-screen printing

SEALS

Closed-cell EPDM rubber

SCREWS

Stainless steel A2

PAINT / FINISHING

Anti-corrosive UV stabilised polyester powder

ELECTRICAL SPECIFICATIONS

POWER SUPPLY

120-277Vac 50/60Hz

DRIVER

Built-in

SPECIFICATION SHEET

Luminart®

WWW.LUMINARTLIGHTING.COM
Last updated: 07/08/24

ANTARES™ SQUARE

WALL

TYPE:

PROJECT NAME:

DRIVER CURRENT

500mA

POWER MODULE LED

11W

ABSORBED POWER

13W

SOURCE

LED

SOURCE FLUX

3000K: 1800 lm

4000K: 1890 lm

FIXTURE SOURCE

3000K: 630 lm

4000K: 665 lm

APPARENT EFFICIENCY

35 %

OVERVOLTAGE PROTECTION

2kV-4kV

OPERATING TA

50 °

ENERGETIC CLASS

A

CRI

>80

STEP MACADAM

3

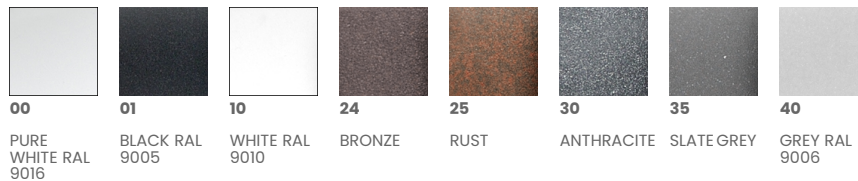
LIFE TIME TM-21

L80B10 50000h

BEAM OPENING

Asymmetric >35°

COLORS



SPECIFICATION SHEET

ORDERING INFO

ANTARES SQUARE	-	35	-	-
Model (Order Code)	Optic Options		Finish Options	LED
<input type="radio"/> L90 ANTARES SQUARE	<input type="radio"/> 35: Asymmetric >35°		<input type="radio"/> 00: Pure White RAL9016 <input type="radio"/> 01: Black RAL9005 <input type="radio"/> 10: White RAL9010 <input type="radio"/> 24: Bronze <input type="radio"/> 25: Rust <input type="radio"/> 30: Anthracite <input type="radio"/> 35: Slate Grey <input type="radio"/> 40: Grey RAL9006	<input type="radio"/> 30: 3000K <input type="radio"/> 40: 4000K
				Dimming Options
				<input type="radio"/> 120V LTE <input type="radio"/> 120V-277V 0-10V (Universal Voltage)

