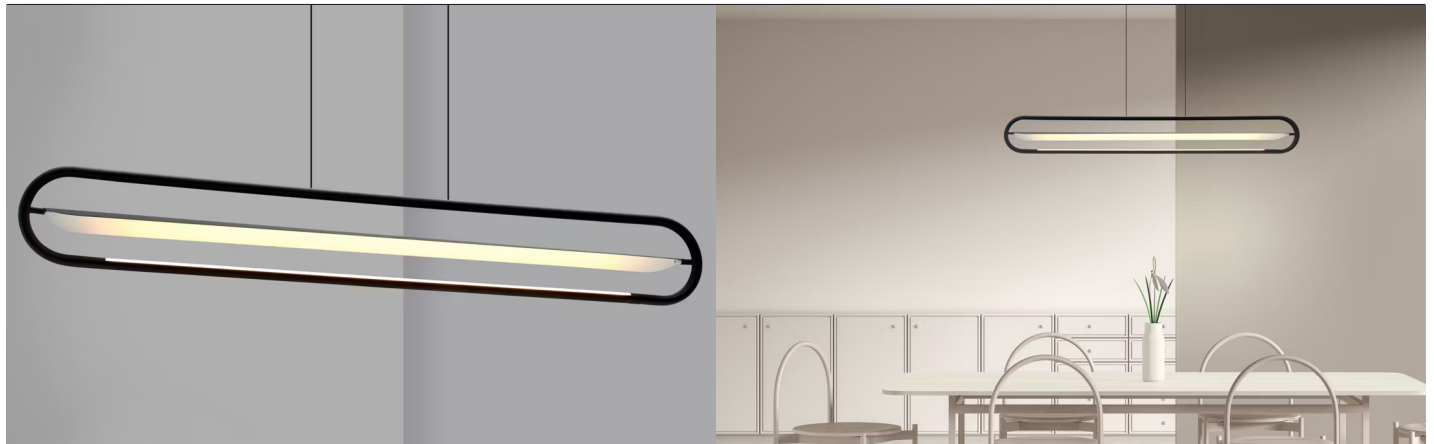


BACKLIGHT™

SUSPENSION

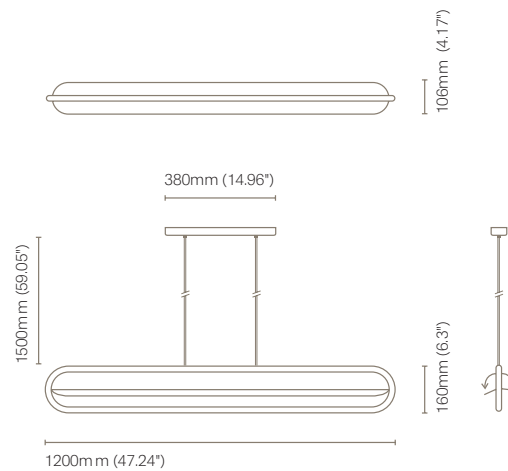
TYPE:

PROJECT NAME:



Technical information

Index Protection	IP20
Driver	Included
CRI	80
Temperature	2700K
Lifetime	50.000h
Technology	LED
Guarantee	5 years
Voltage	120V



Model

Backlight H1200
L6531125-

L6531125-	COLOUR	CRI/TEMP.	LED
	1 Black	G 827	3 2490lm /23W

SPECIFICATION SHEET

ORDERING INFO

Model (Order Code)

Driver Options

- 120V Phase Dimming
- 120V 0-10V Dimming
- 277V 0-10V Dimming



Luminart®

WWW.LUMINARTLIGHTING.COM