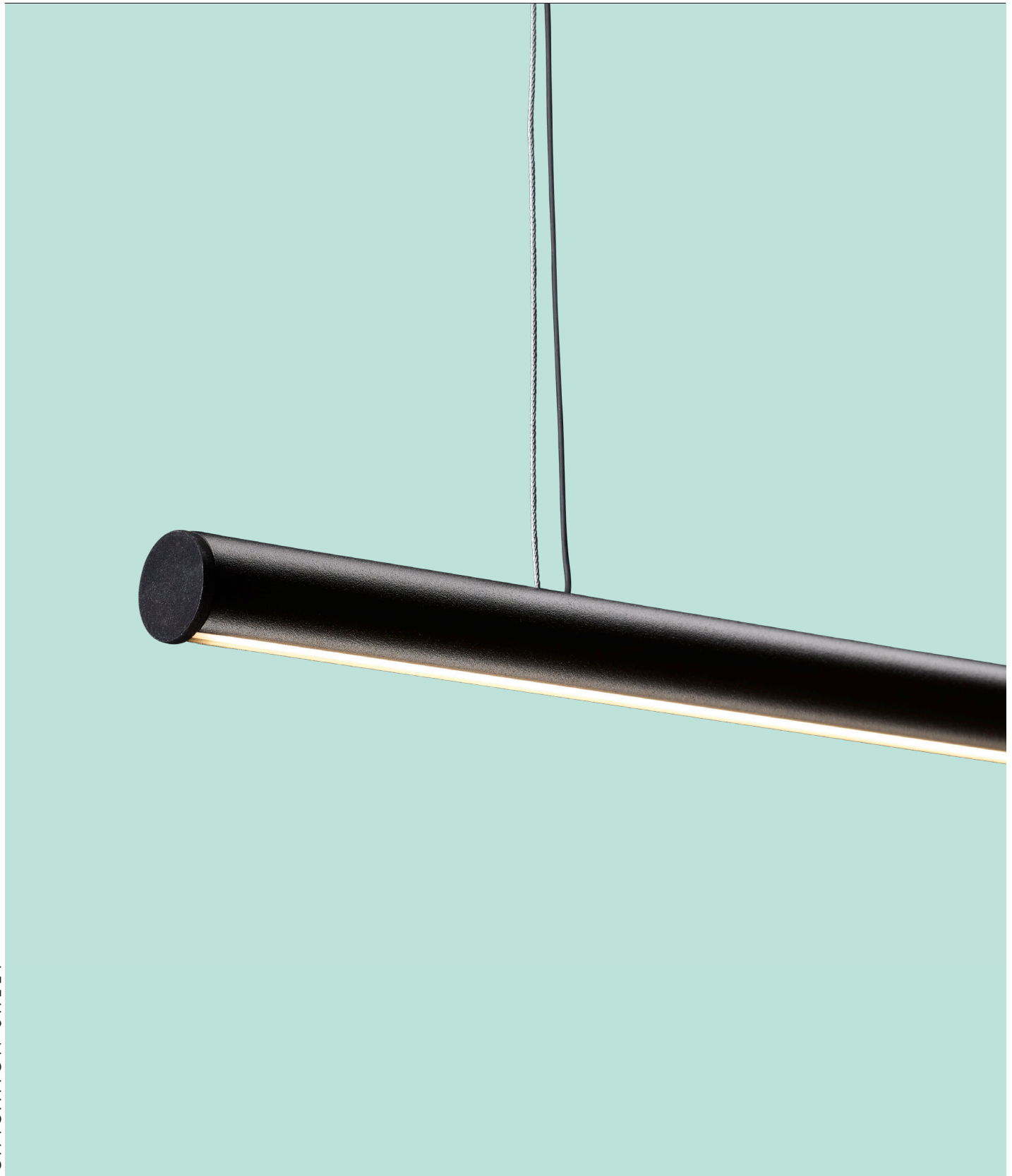


BOOMER LINE™

SUSPENSION

TYPE:

PROJECT NAME:



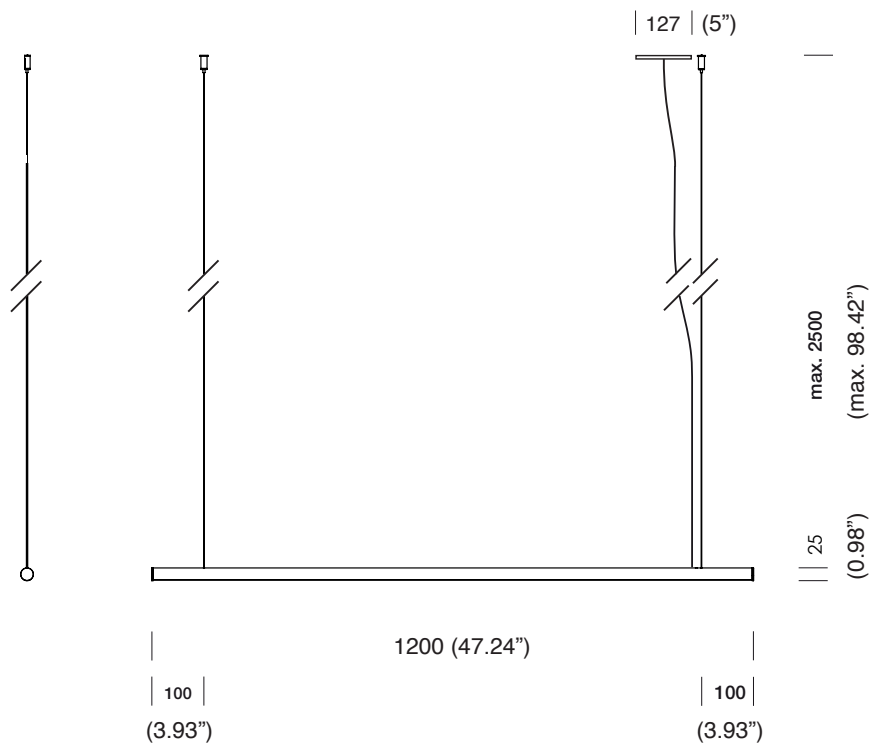
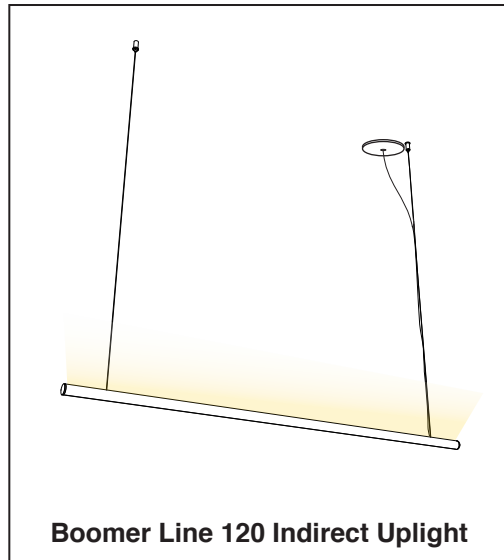
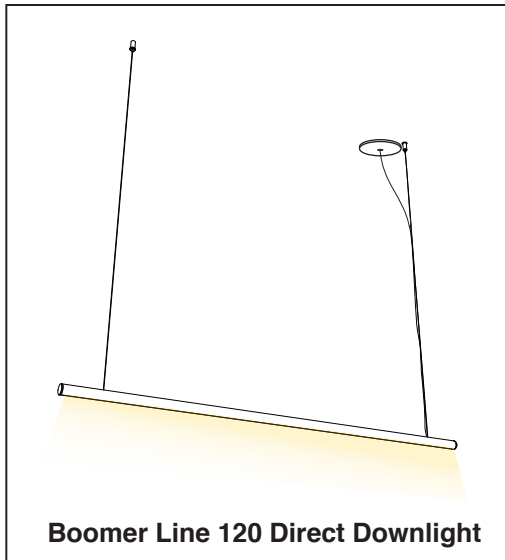
SPECIFICATION SHEET

BOOMER LINE™ 120

SUSPENSION

TYPE:

PROJECT NAME:



SPECIFICATION SHEET

ORDERING INFO

Model (Order Code)	Power	Finish	LED	Dimming Options
<input type="radio"/> L30BOOMERLINE120 Direct Downlight	<input type="radio"/> 24: 24W 1400lm	<input type="radio"/> W: White	<input type="radio"/> 27: 2700K	<input type="radio"/> 120V Phase Dimming (Integral Driver)
<input type="radio"/> L30BOOMERLINE120 Indirect Uplight		<input type="radio"/> B: Black	<input type="radio"/> 30: 3000K	<input type="radio"/> 120V 0-10V Dimming (Remote Driver)
			<input type="radio"/> 35: 3500K	<input type="radio"/> 277V 0-10V Dimming (Remote Driver)
			<input type="radio"/> 40: 4000K	

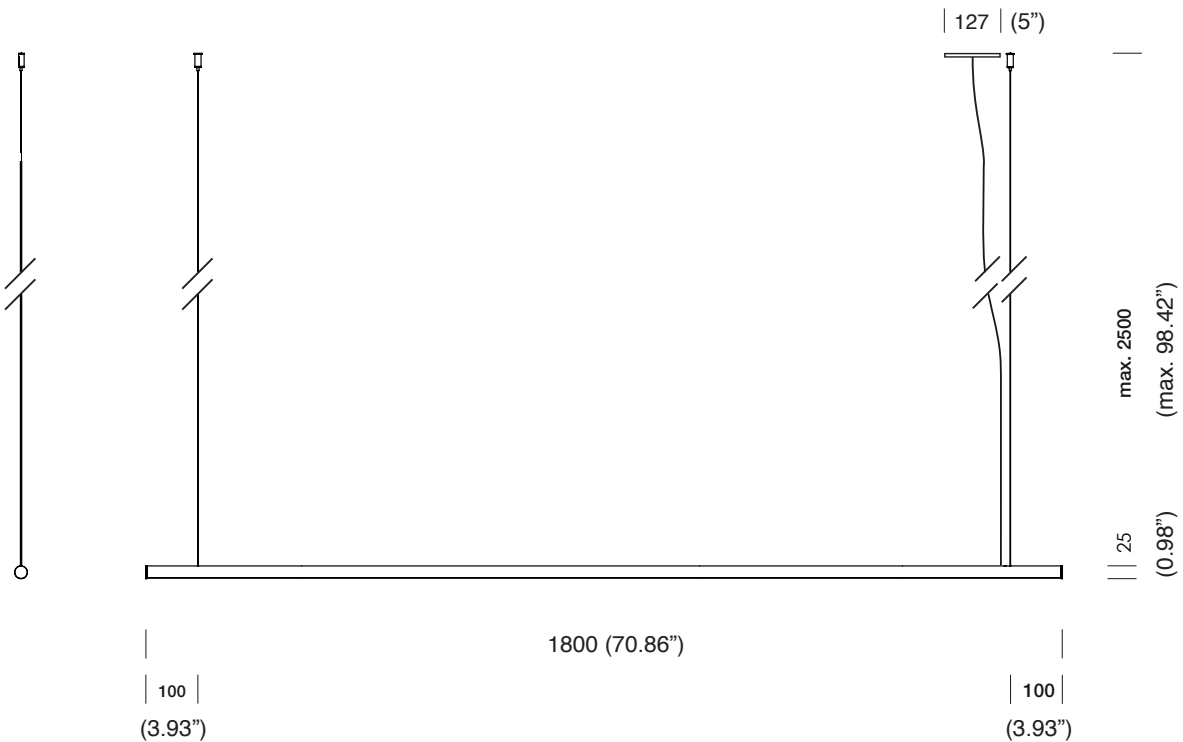
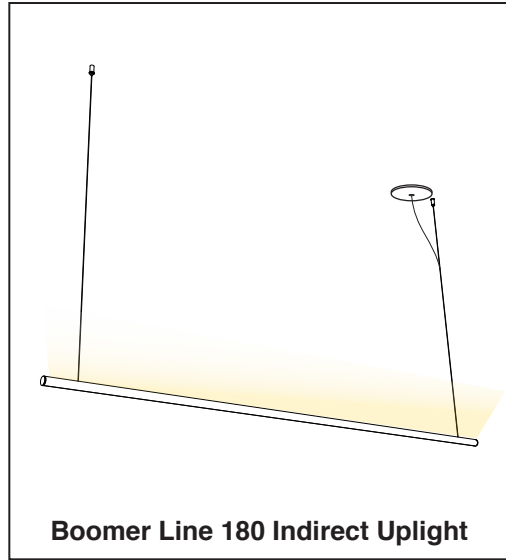
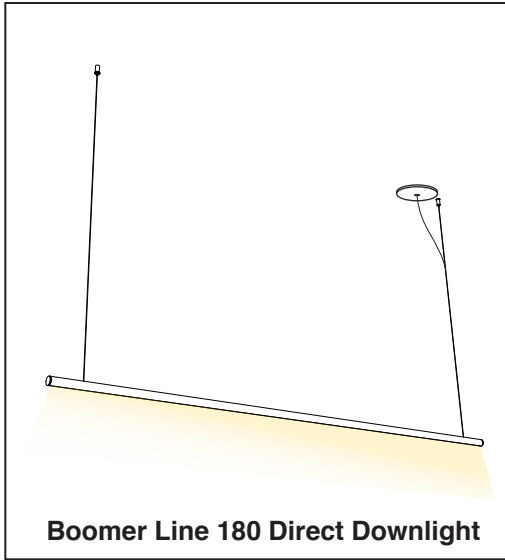


BOOMER LINE™ 180

SUSPENSION

TYPE:

PROJECT NAME:



SPECIFICATION SHEET

ORDERING INFO

Model (Order Code)	Power	Finish	LED	Dimming Options
<input type="radio"/> L30BOOMERLINE180 Direct Downlight	<input type="radio"/> 36: 36W 1920lm	<input type="radio"/> W: White	<input type="radio"/> 27: 2700K	<input type="radio"/> 120V Phase Dimming (Integral Driver)
<input type="radio"/> L30BOOMERLINE180 Indirect Uplight		<input type="radio"/> B: Black	<input type="radio"/> 30: 3000K	<input type="radio"/> 120V 0-10V Dimming (Remote Driver)
			<input type="radio"/> 35: 3500K	<input type="radio"/> 277V 0-10V Dimming (Remote Driver)
			<input type="radio"/> 40: 4000K	

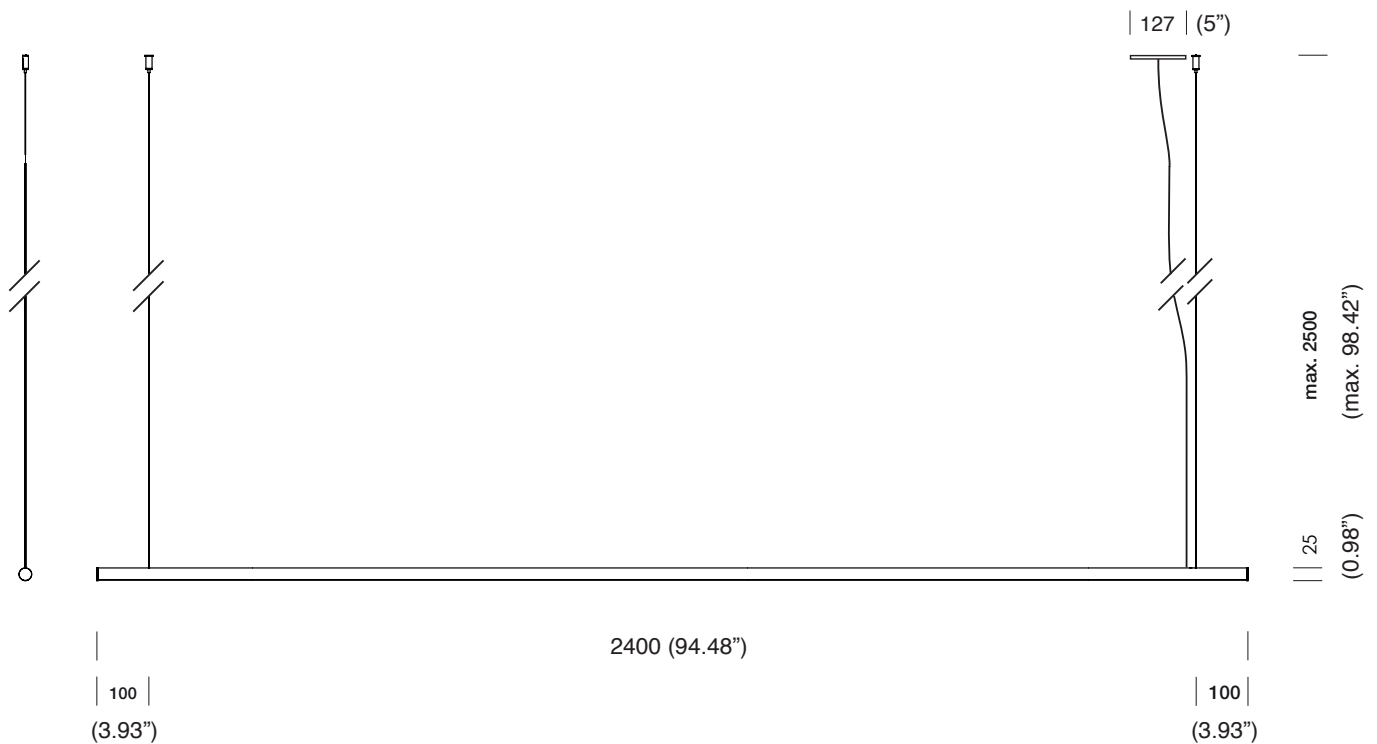
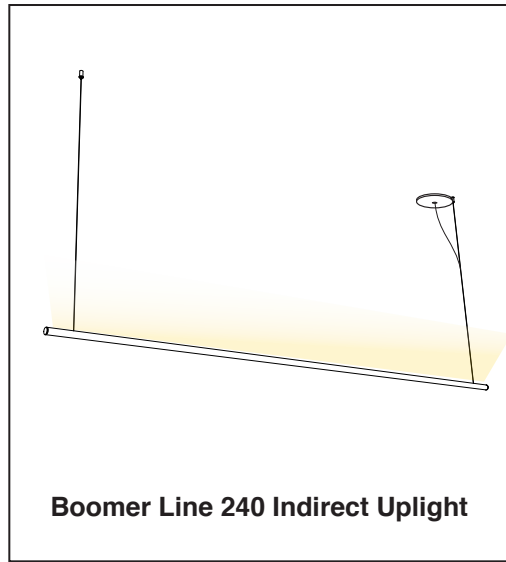
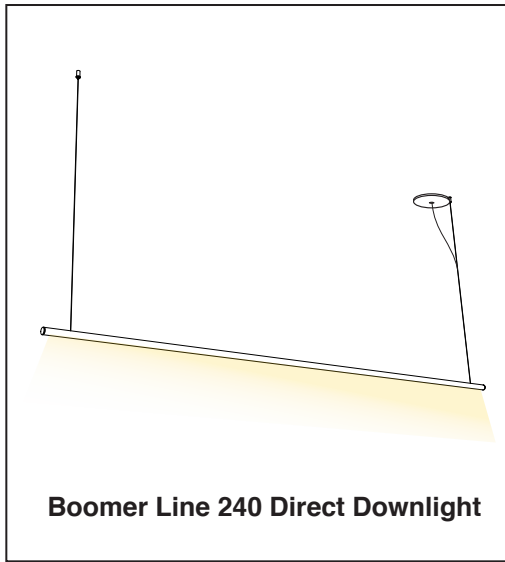


BOOMER LINE™ 240

SUSPENSION

TYPE:

PROJECT NAME:



SPECIFICATION SHEET

ORDERING INFO

Model (Order Code)	Power	Finish	LED	Dimming Options
<input type="radio"/> L30BOOMERLINE240 Direct Downlight	<input type="radio"/> 48: 48W 2680lm	<input type="radio"/> W: White	<input type="radio"/> 27: 2700K	<input type="radio"/> 120V Phase Dimming (Integral Driver)
<input type="radio"/> L30BOOMERLINE240 Indirect Uplight		<input type="radio"/> B: Black	<input type="radio"/> 30: 3000K	<input type="radio"/> 120V 0-10V Dimming (Remote Driver)
			<input type="radio"/> 35: 3500K	<input type="radio"/> 277V 0-10V Dimming (Remote Driver)
			<input type="radio"/> 40: 4000K	

