

# BOUNCE LINES MULTI™

TYPE:

SUSPENSION

PROJECT NAME:



SPECIFICATION SHEET

**Luminart®**

WWW.LUMINARTLIGHTING.COM  
Last updated: 10/10/24

# BOUNCE LINES MULTI™

TYPE:

SUSPENSION

PROJECT NAME:

## DIMENSIONS

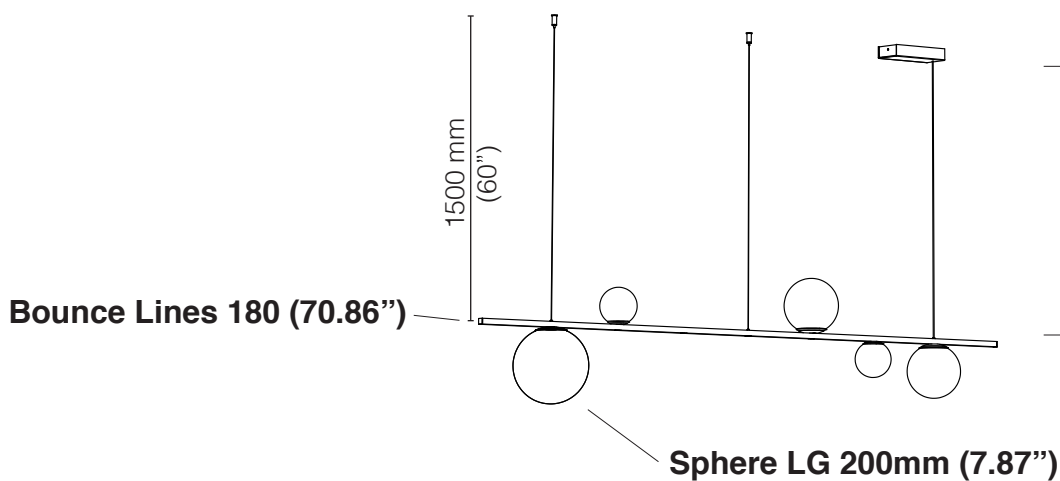
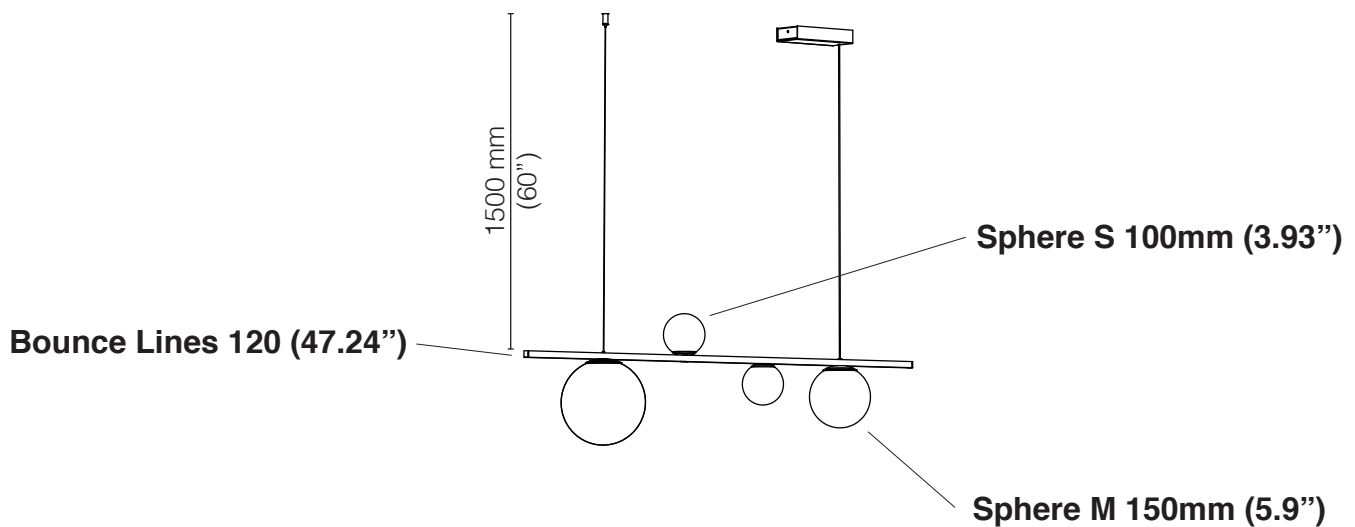
Bounce Lines is available in two structural sizes with an additional choice of three sizes of LED spheres.

**Bounce Lines 120:** Length of 120cm (47.24") **Sphere S:** Diameter of 100mm (3.93")

**Bounce Lines 180:** Length of 180cm (70.86") **Sphere M:** Diameter of 150mm (5.9")

**Sphere LG:** Diameter of 200mm (7.87")

The height (thickness) of the Lines structure is 12mm (0.47")



**Mounting:**  
Supplied with 60" (1500mm) long suspension aircraft cables (standard) and canopy. To be installed on a standard 4" octagonal junction box.  
Custom cable length on request (Please specify).

SPECIFICATION SHEET

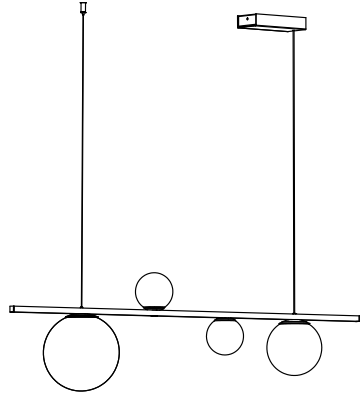
# BOUNCE LINES MULTI™

SUSPENSION

TYPE:

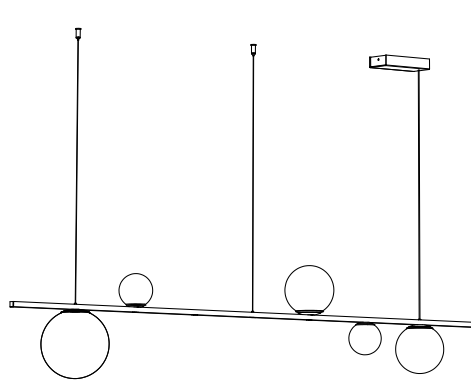
PROJECT NAME:

## BOUNCE LINES 120 -S-S-M-LG-



LAMP TYPE	LED
COLOUR TEMP.	2700K
WATTAGE	2W/2W/4W/10W

## BOUNCE LINES 180 -S-S-M-M-LG-



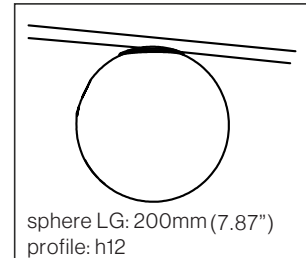
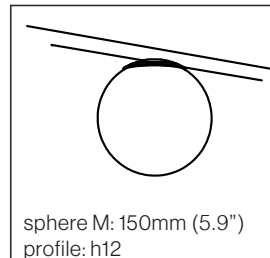
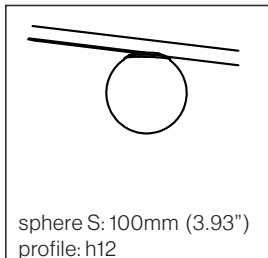
LAMP TYPE	LED
COLOUR TEMP.	2700K
WATTAGE	2W/2W/4W/4W/10W

### ORDER CODE

BLACK	L30T111H37DZL
BRONZE	L30T111H37DOE
BRUSHED BRASS	L30T111H37DLB
WHITE	L30T111H37DWL

### ORDER CODE

BLACK	L30T111H39DZL
BRONZE	L30T111H39DOE
BRUSHED BRASS	L30T111H39DLB
WHITE	L30T111H39DWL



SPECIFICATION SHEET

### ORDERING INFO

	-	27	-	
Model (Order Code)		LED		Dimming Options
		<input type="radio"/> 27: 2700K		<input type="radio"/> 120V LTE
				<input type="radio"/> 120V-277V 0-10V (Universal Voltage)

